



The Rheo-Pro® N20 hot runner nozzle is the standard nozzle for large, heavy shot weight plastic parts (1000 - 10,000 grams).

Overviews

Threaded Nozzle	2
Valve Threaded Nozzle	3
N20-N12 Threaded Nozzle	4
N20-N12 Valve Threaded Nozzle	5

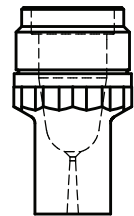
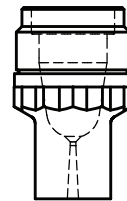
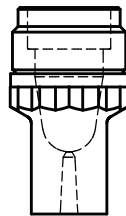
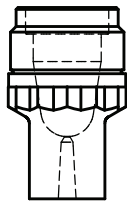
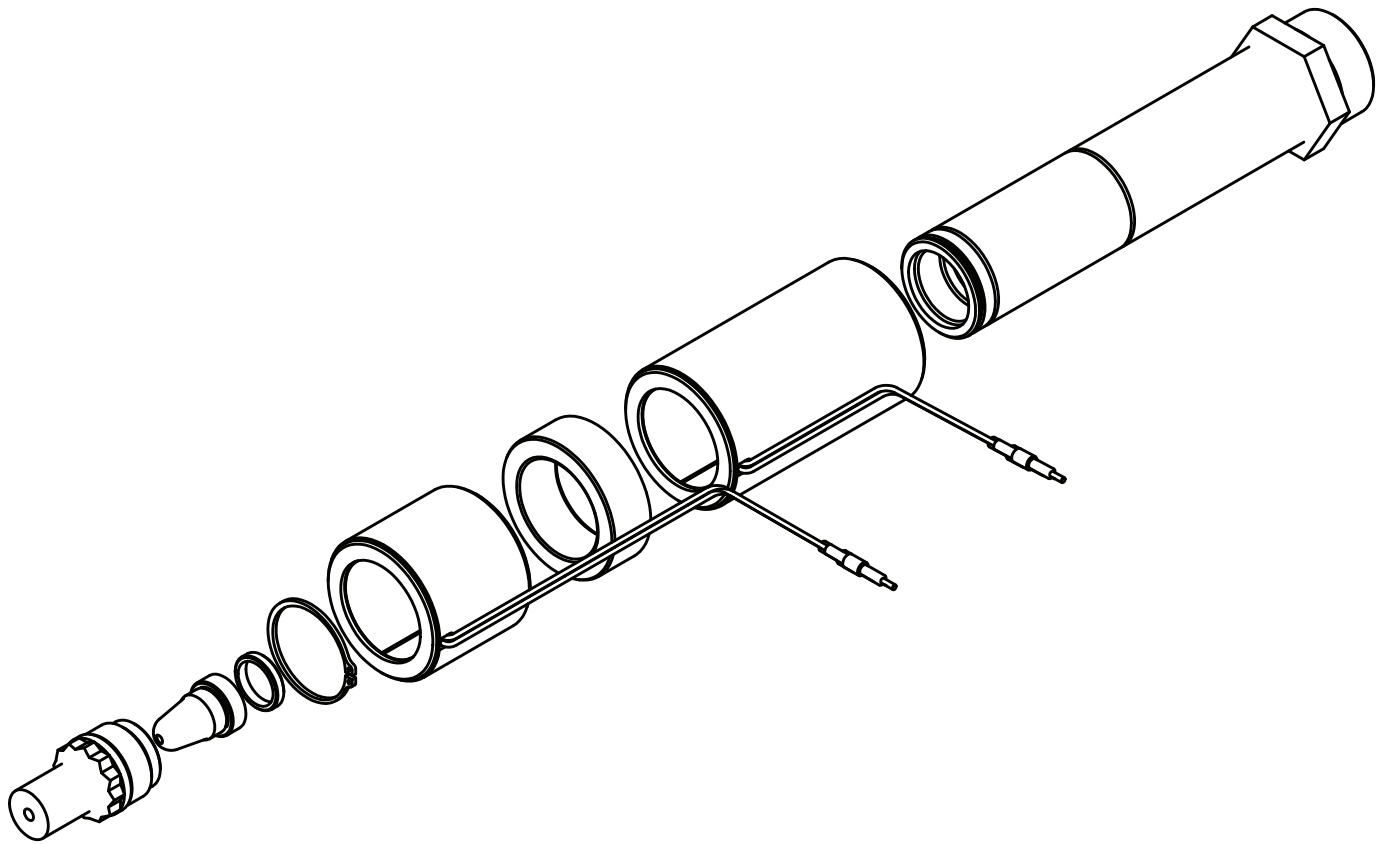
Threaded Nozzles

Thermal Gating	
Rheo Flow Tip Style 2 - 4 mm	6-7, 14-15
Rheo Flow Tip Style 2 - 8 mm	12-13, 16-17
Open Flow Tip Style 2 - 4 mm	18-19, 22-23
Open Flow Tip Style 2 - 8 mm	20-21, 24-25
Valve Gating	
Valve Flow Tip Style 2 - 4 mm	26-27, 30-31
Valve Flow Tip Style 2 - 8 mm	28-29, 32-33

N20-N12 Threaded Nozzles

Thermal Gating	
Rheo Flow Tip Style 2 - 4 mm	34-35, 38-39
Rheo Flow Tip Style 2 - 8 mm	36-37, 40-41
Open Flow Tip Style 2 - 4 mm	42-43, 46-47
Open Flow Tip Style 2 - 8 mm	44-45, 48-49
Valve Gating	
Valve Flow Tip Style 2 - 4 mm	50-51, 54-55
Valve Flow Tip Style 2 - 8 mm	52-53, 56-57

N20 OVERVIEW



N20OFT24XX

N20OFT28XX

N20RFT24XX

N20RFT28XX

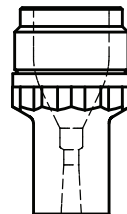
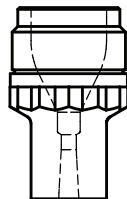
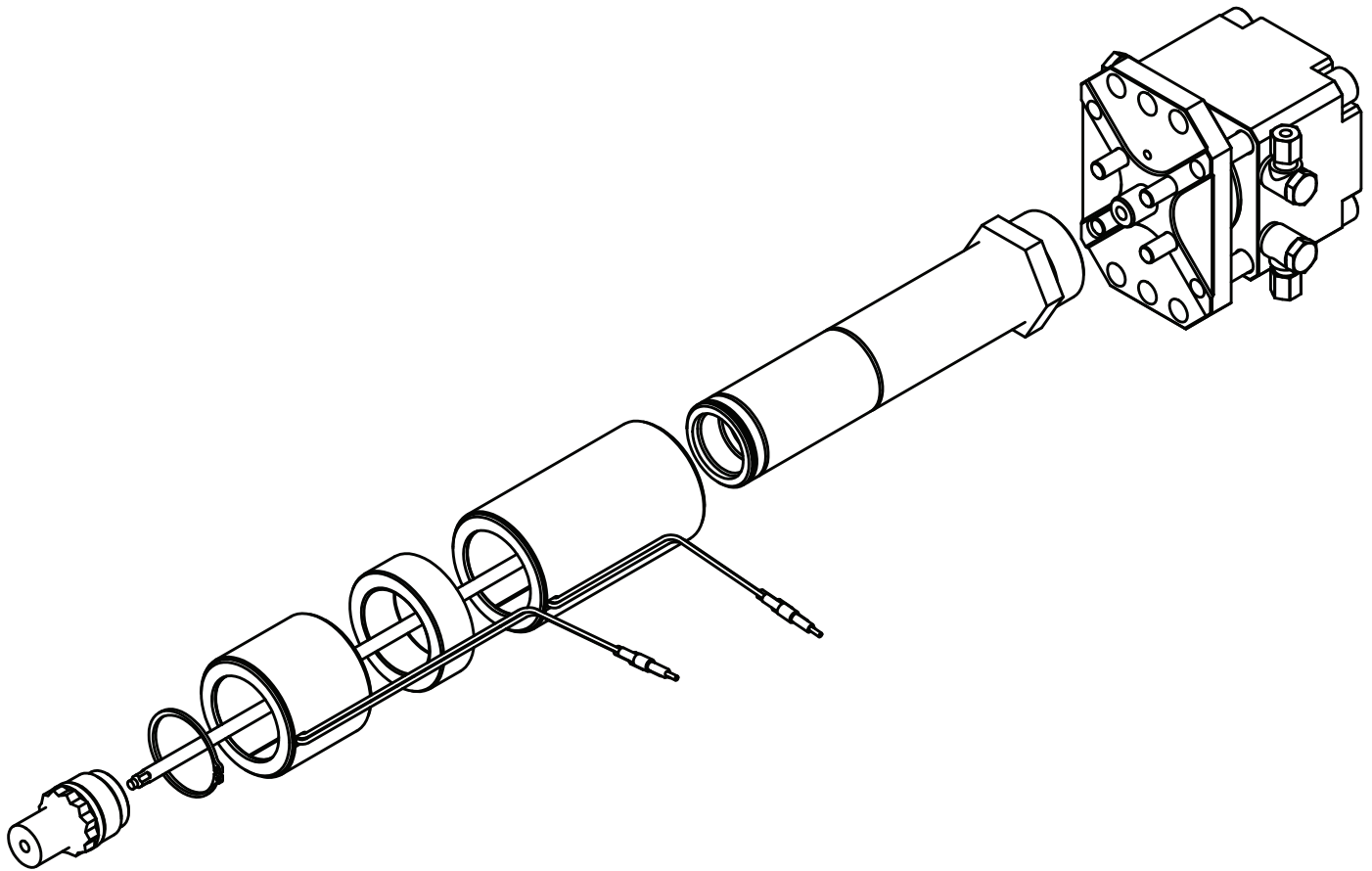
GATE SIZE:

1.5
2.5
3.5

1.5
2.5
3.5

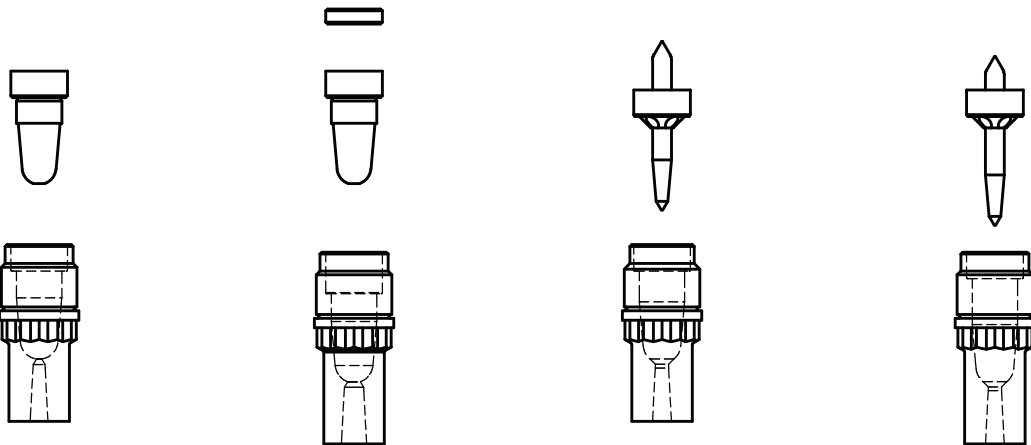
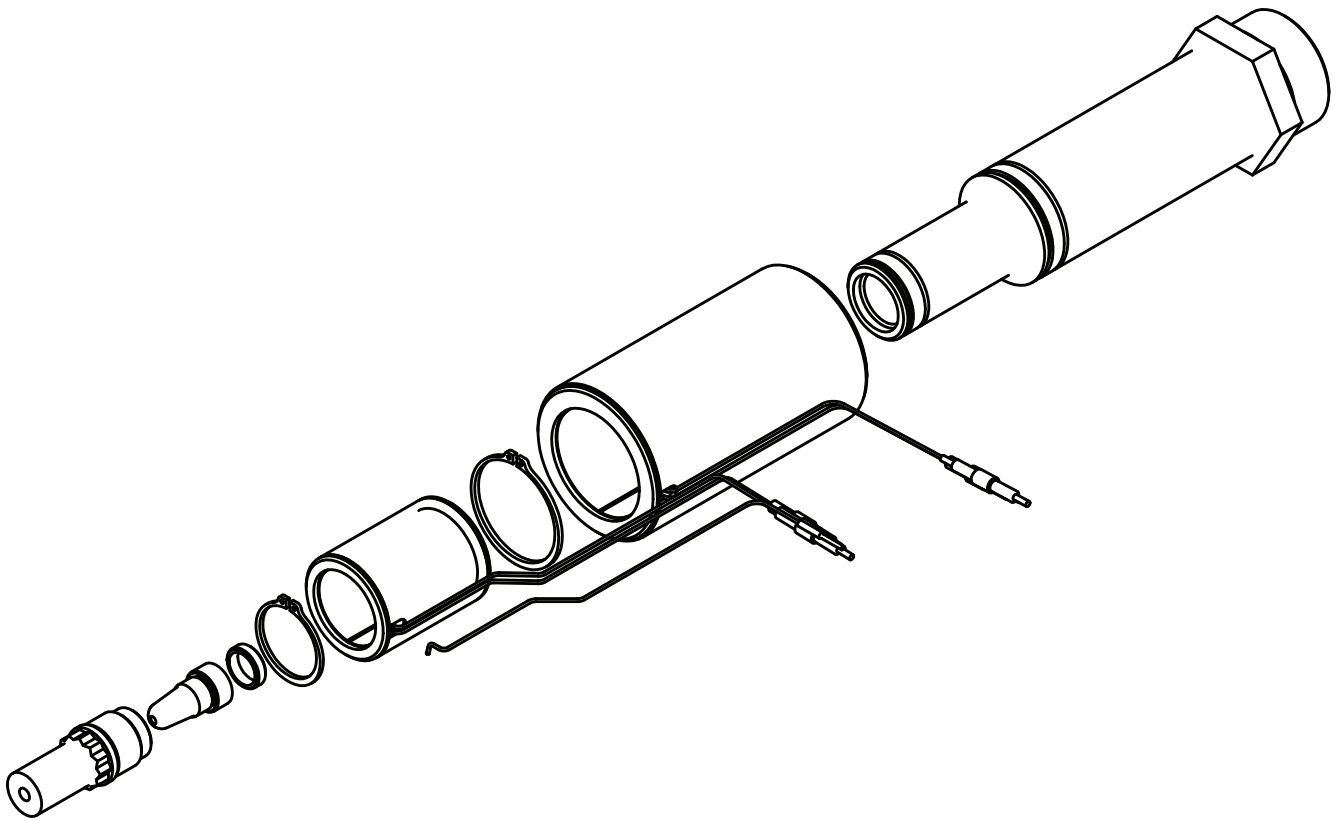
1.5
2.5
3.5

1.5
2.5
3.5



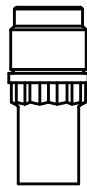
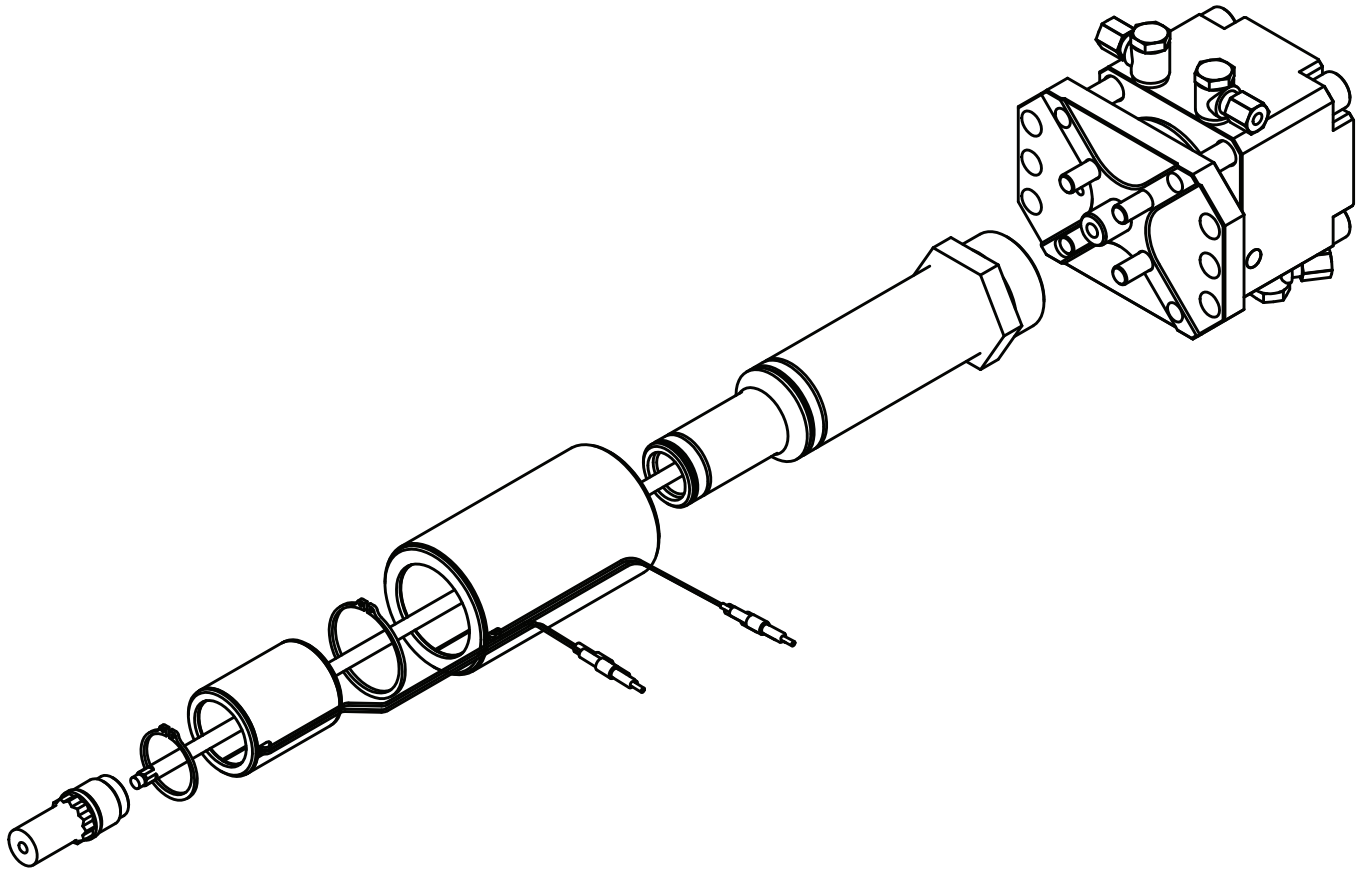
	N20VFT24XX	N20VFT28XX
GATE SIZE	4.0 5.0	4.0 5.0

N20-N12 OVERVIEW



	N12OFT24XX	N12OFT28XX	N12RFT24XX	N12RFT28XX
GATE SIZE:	1.5	1.5	1.5	1.5
	2.5	2.5	2.5	2.5
	3.5	3.5	3.5	3.5

N20-N12TV OVERVIEW



N12VFT24XX

GATE SIZE

4.0
5.0

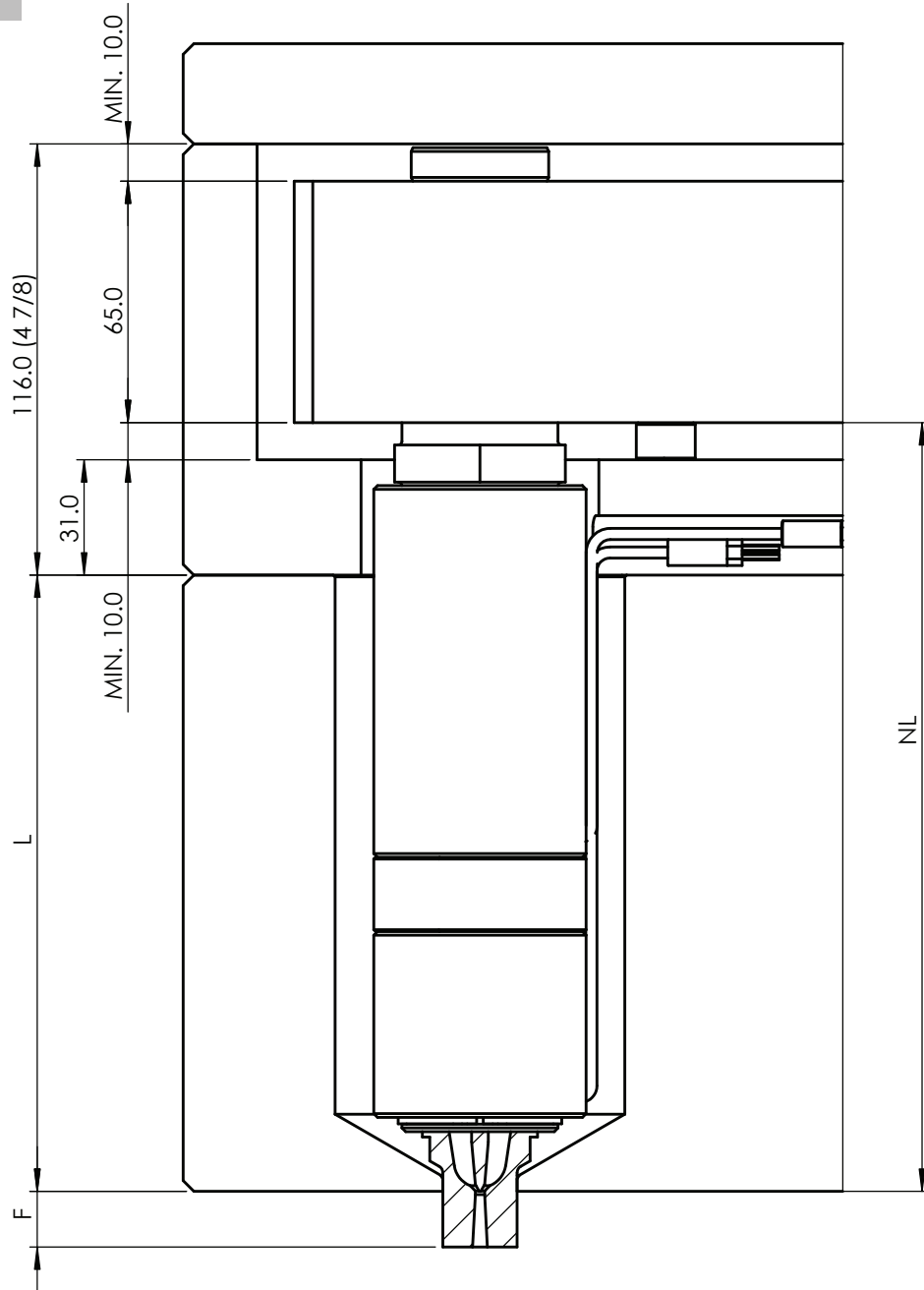


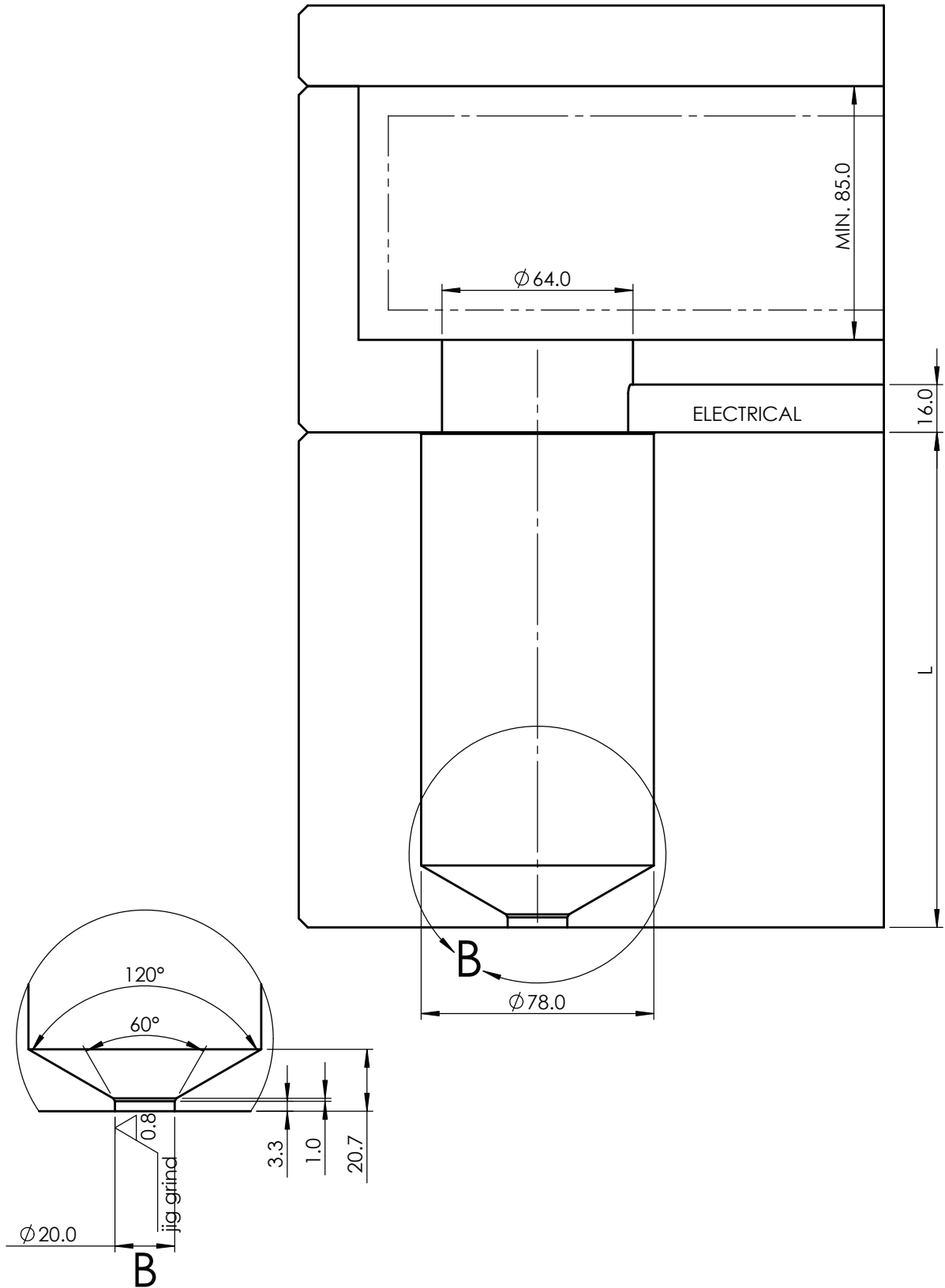
N12VFT28XX

4.0
5.0



Gate Size
1.5
2.5
3.5

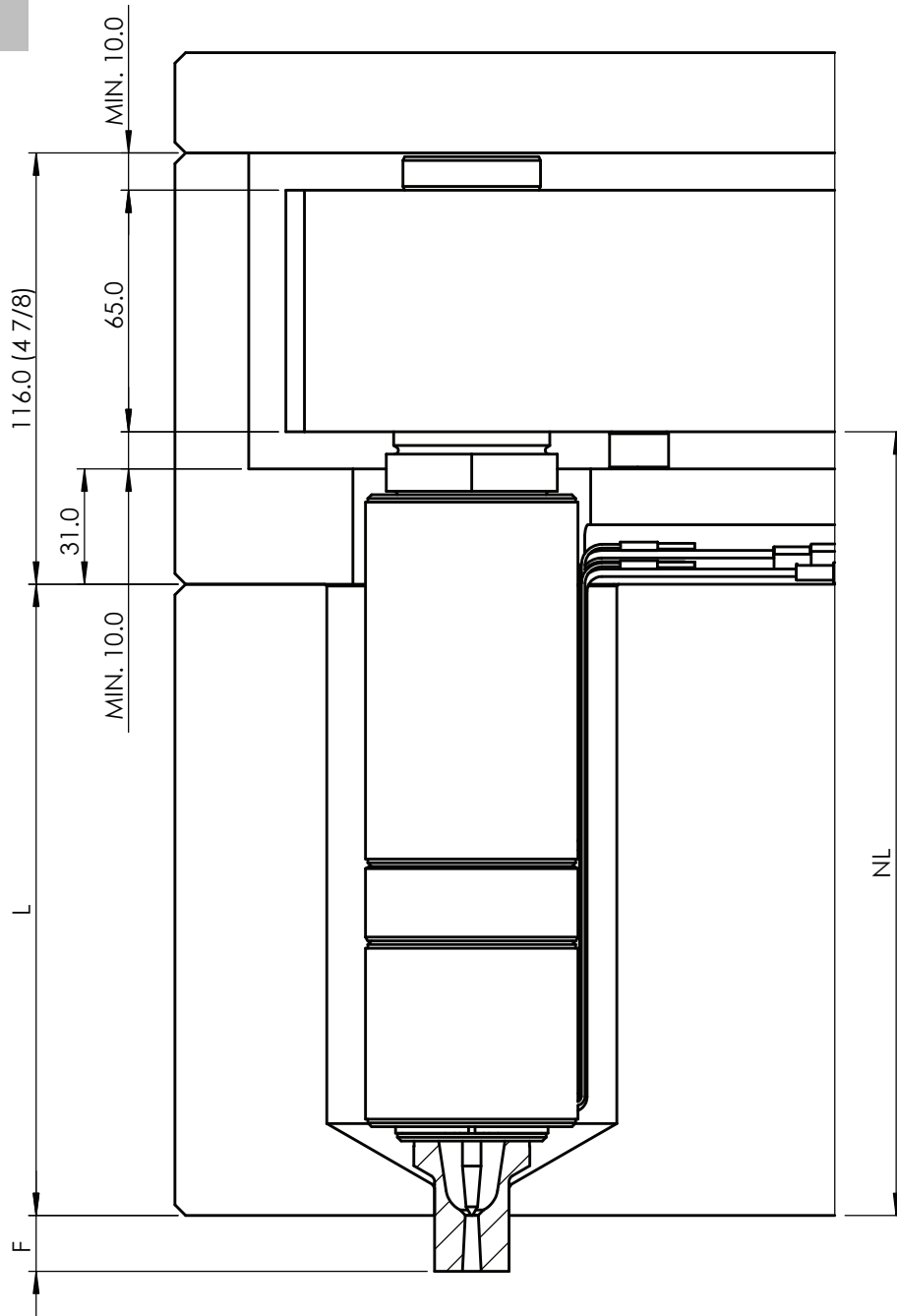


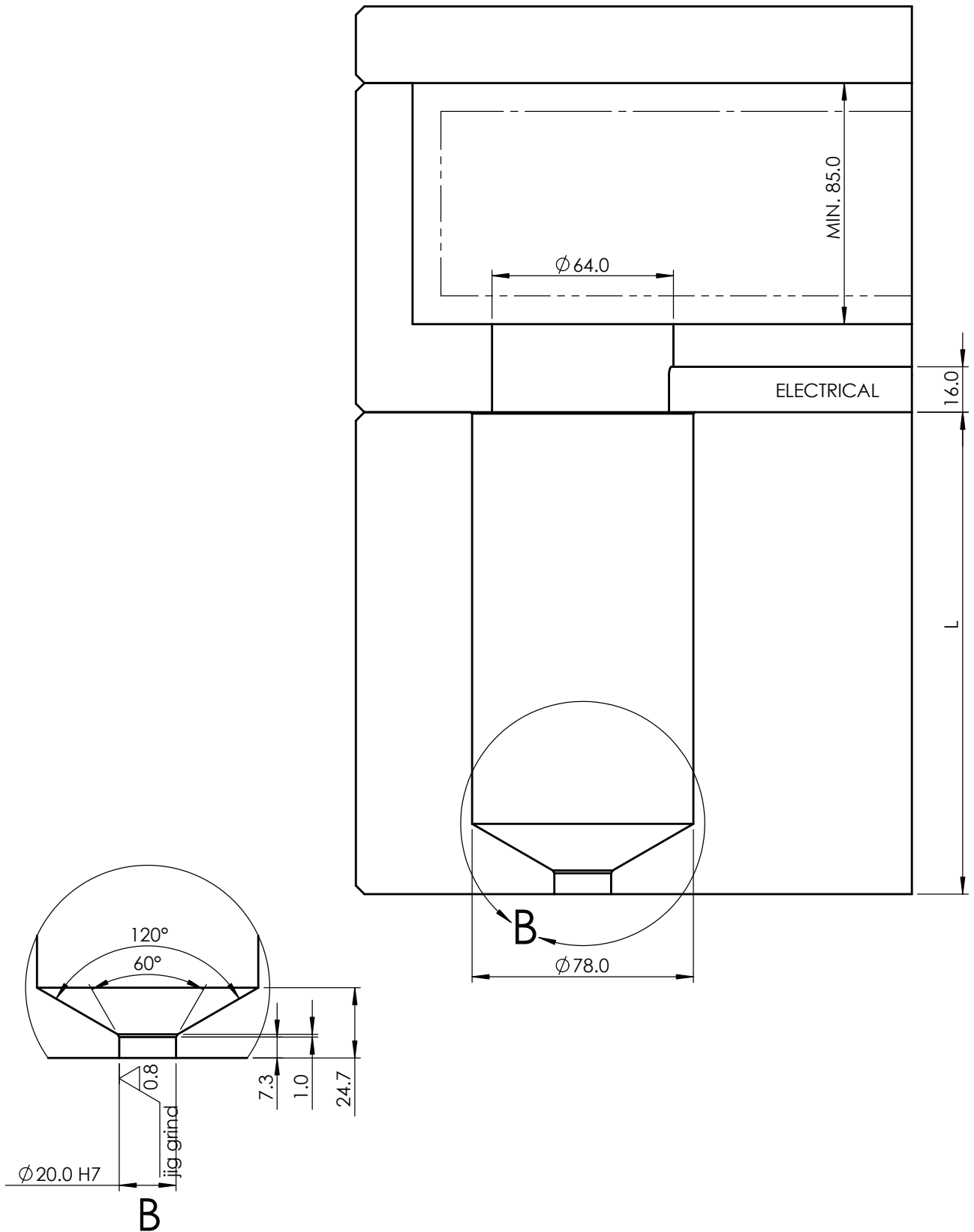


N20T---R28---



Gate Size
1.5
2.5
3.5

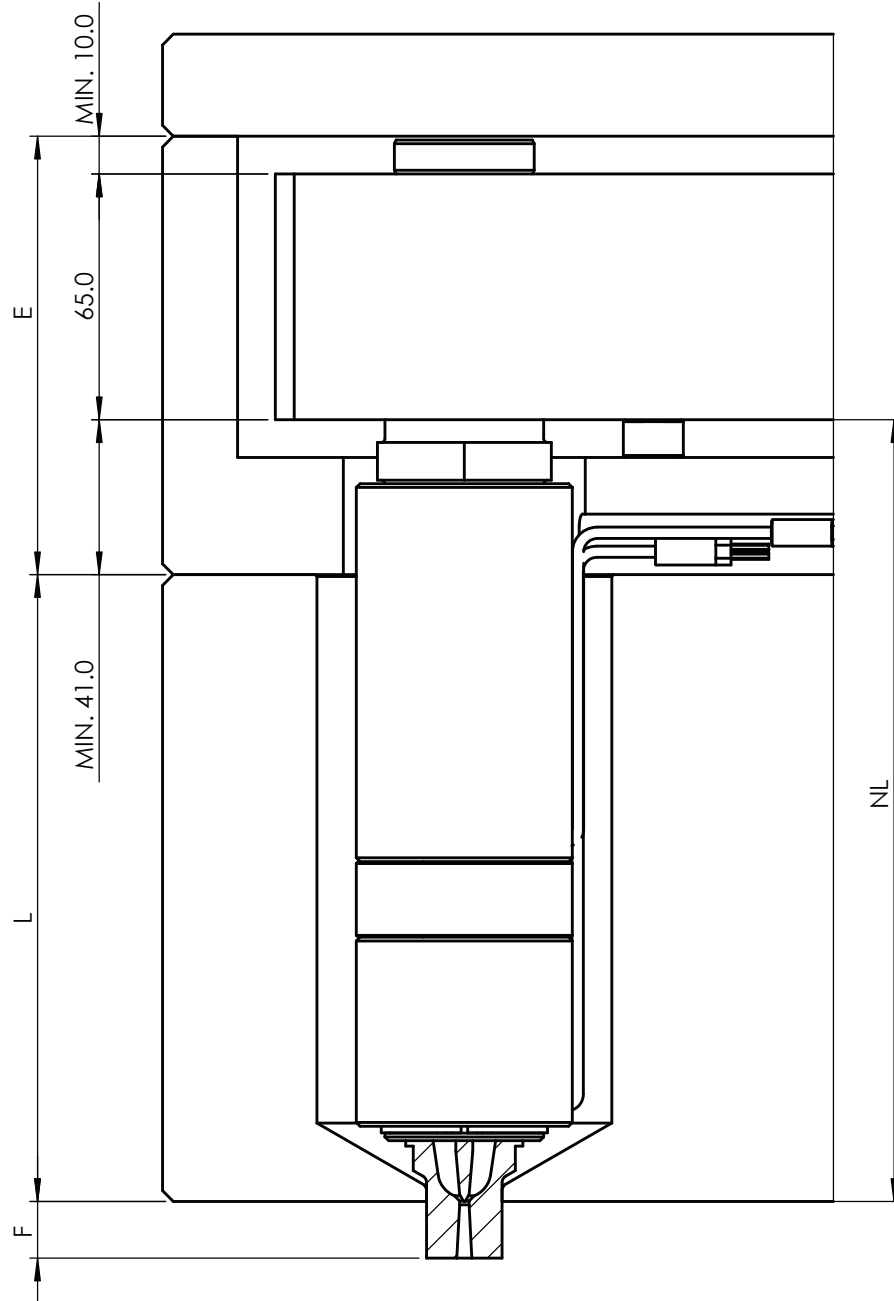


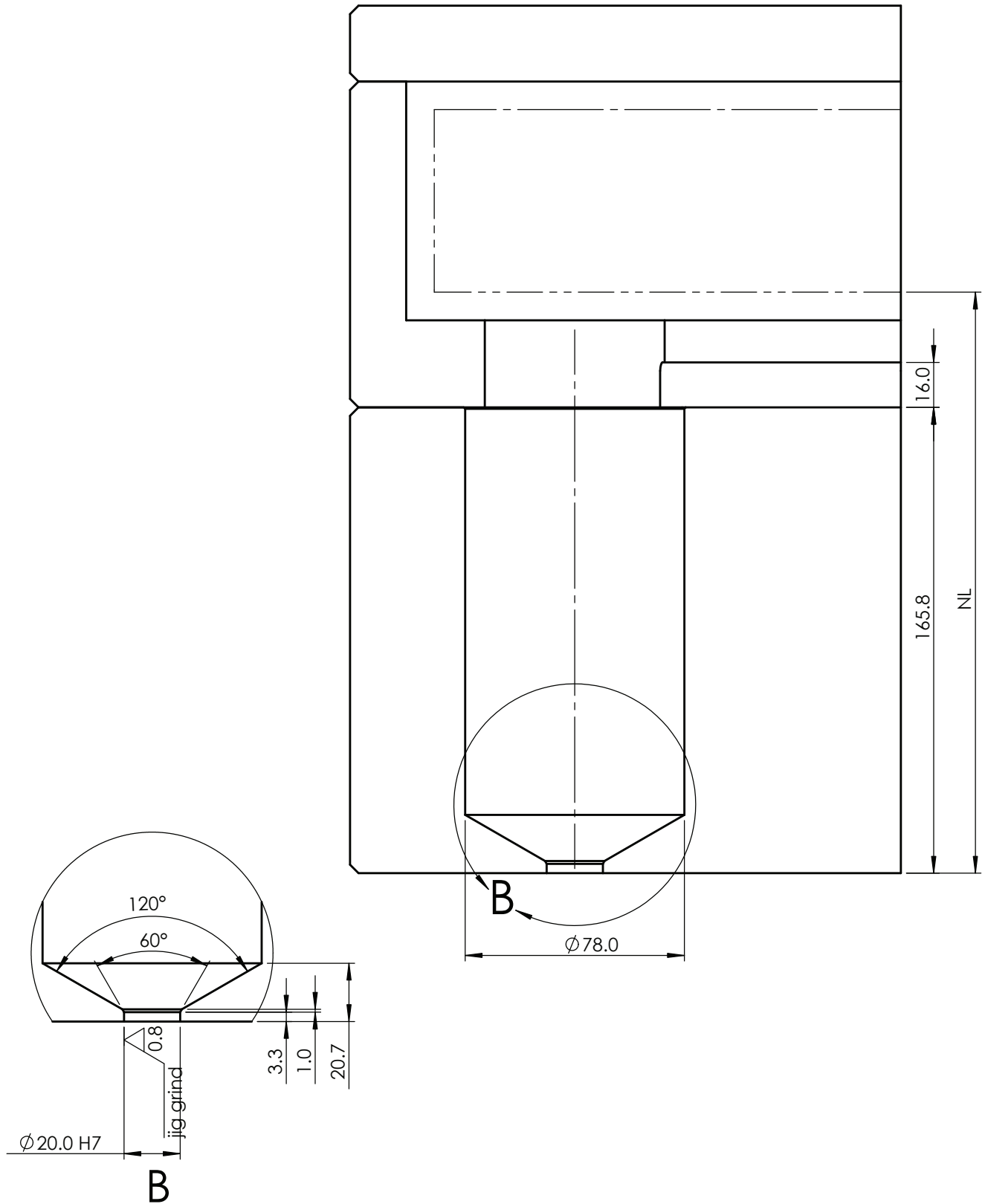


N20T---R24--



Gate Size
1.5
2.5
3.5

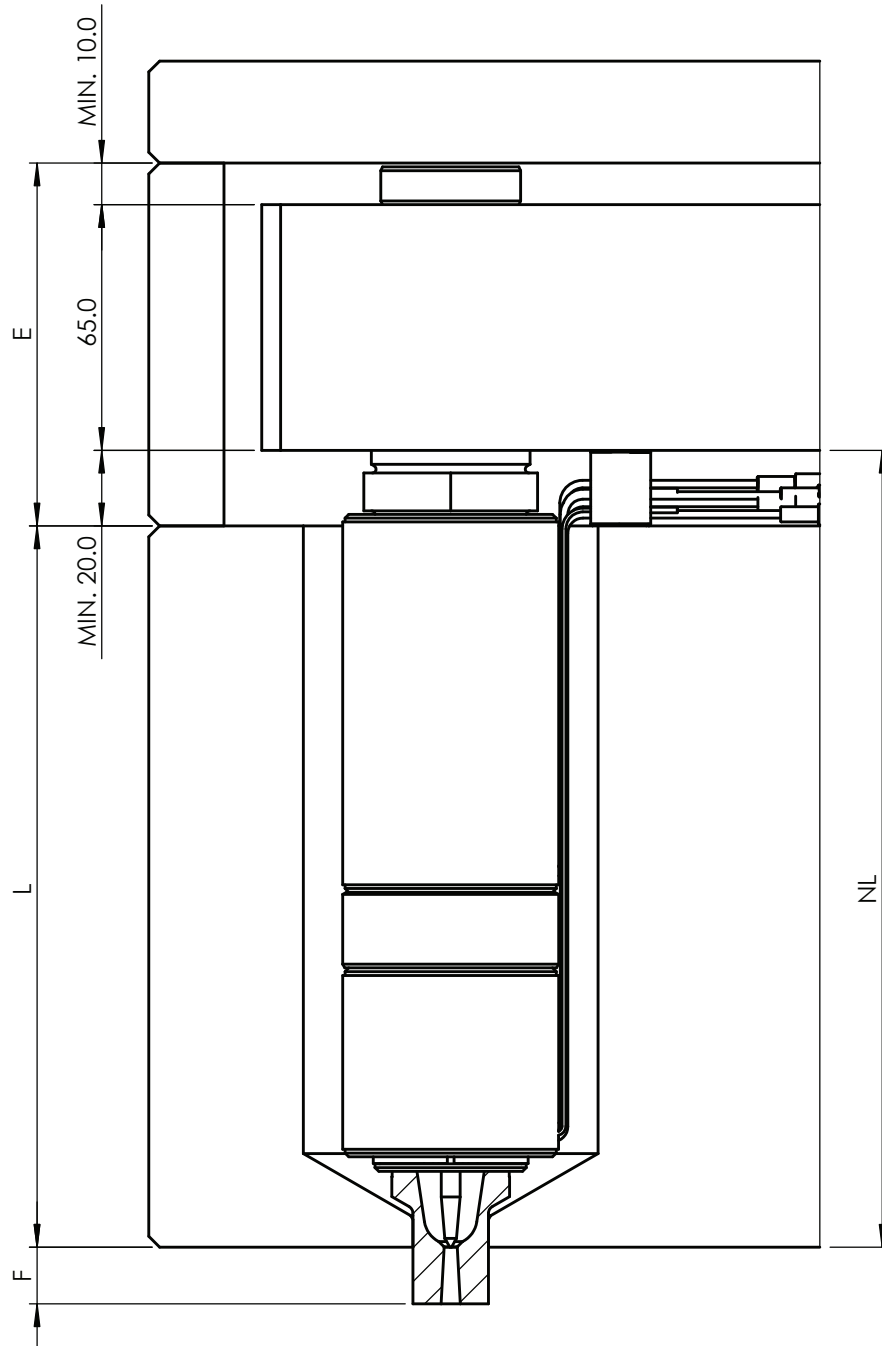


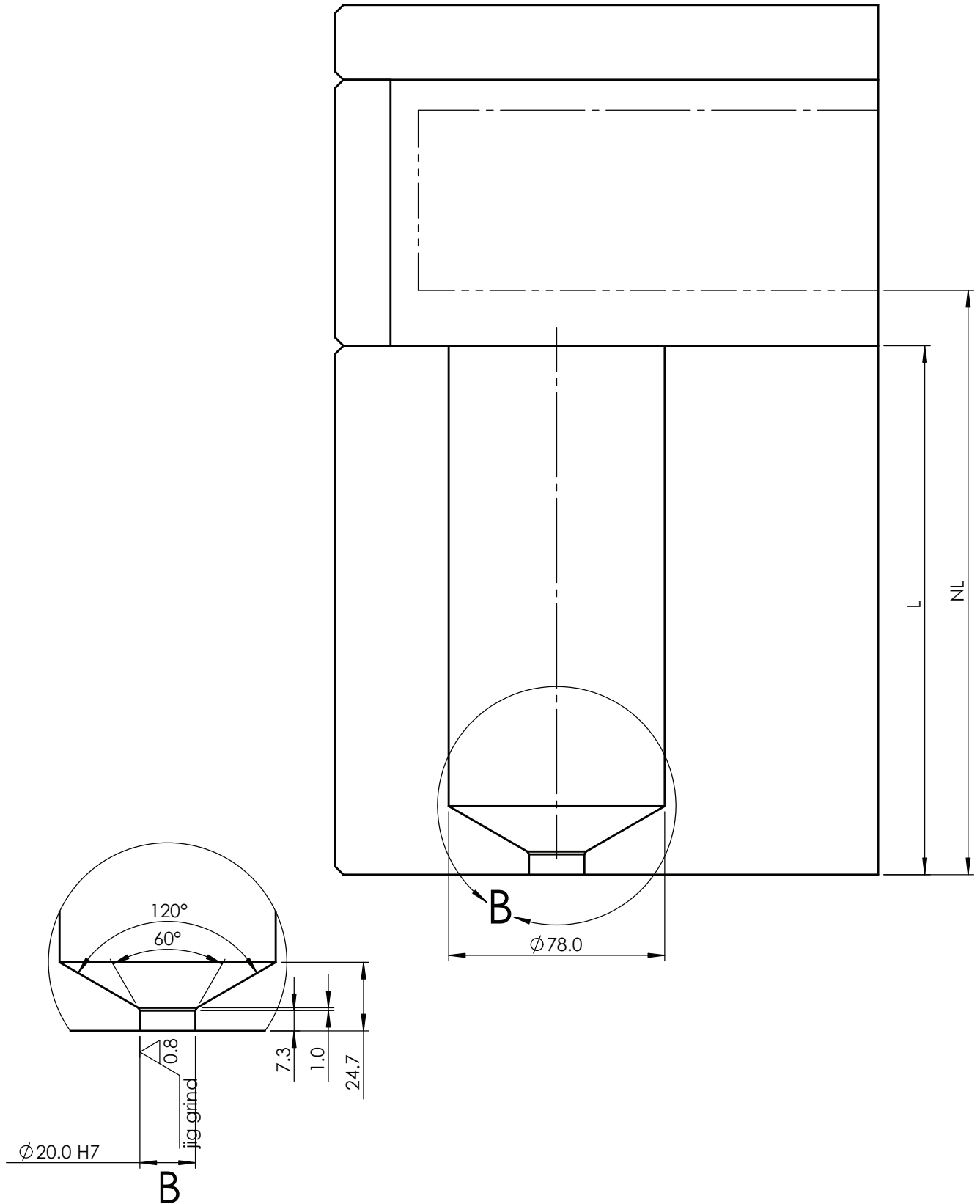


N20T---R28--



Gate Size
1.5
2.5
3.5

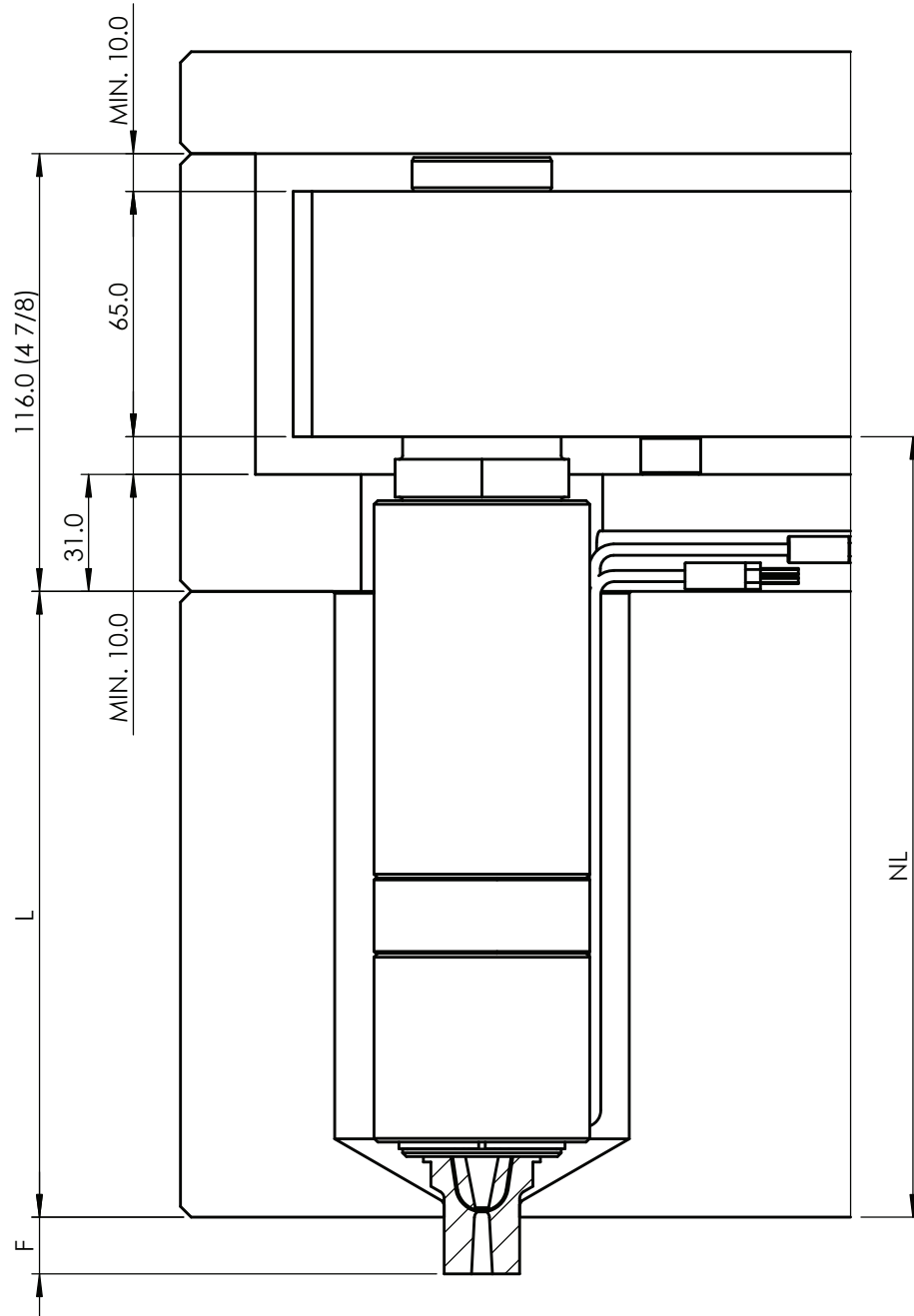


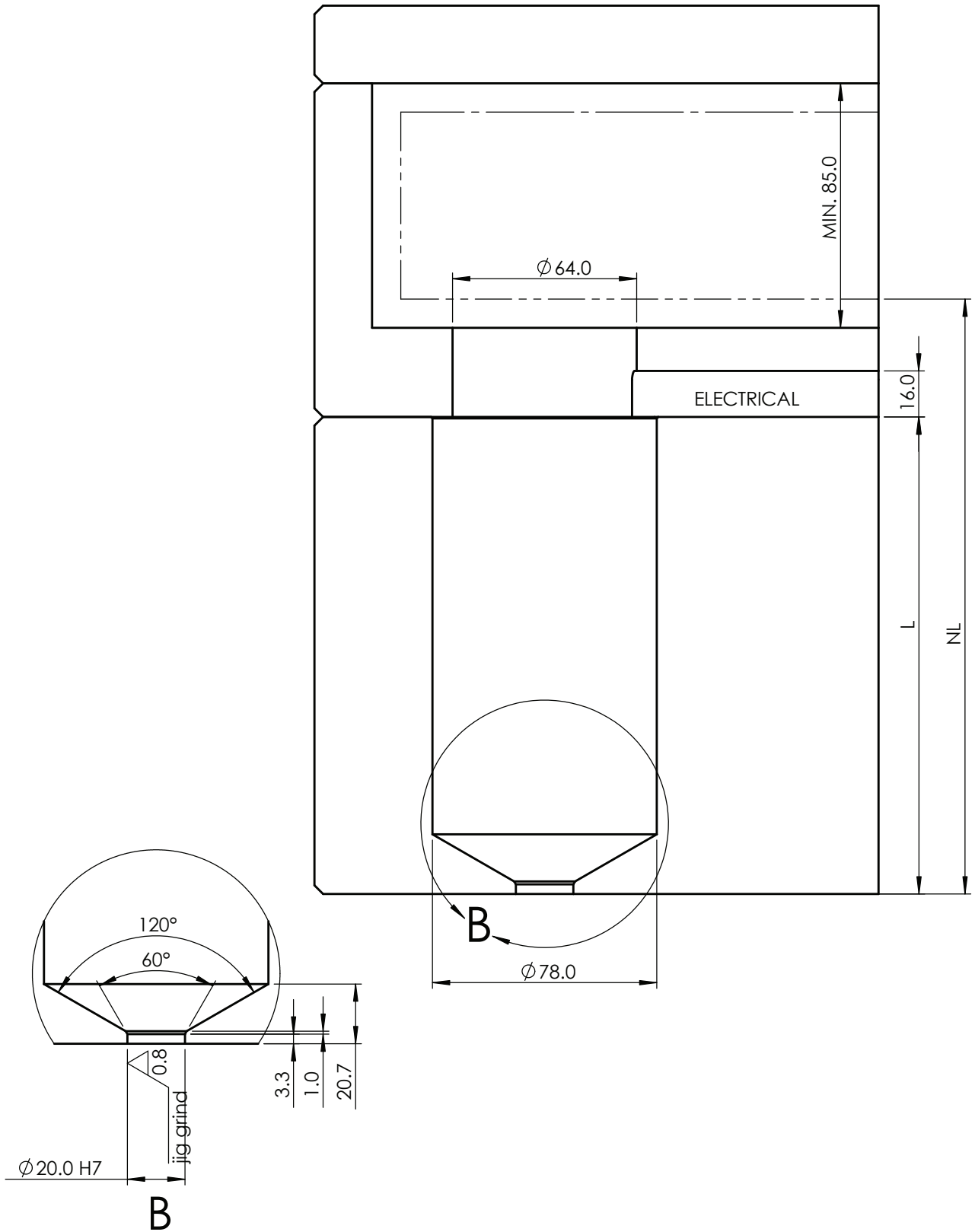


N20T---O24--



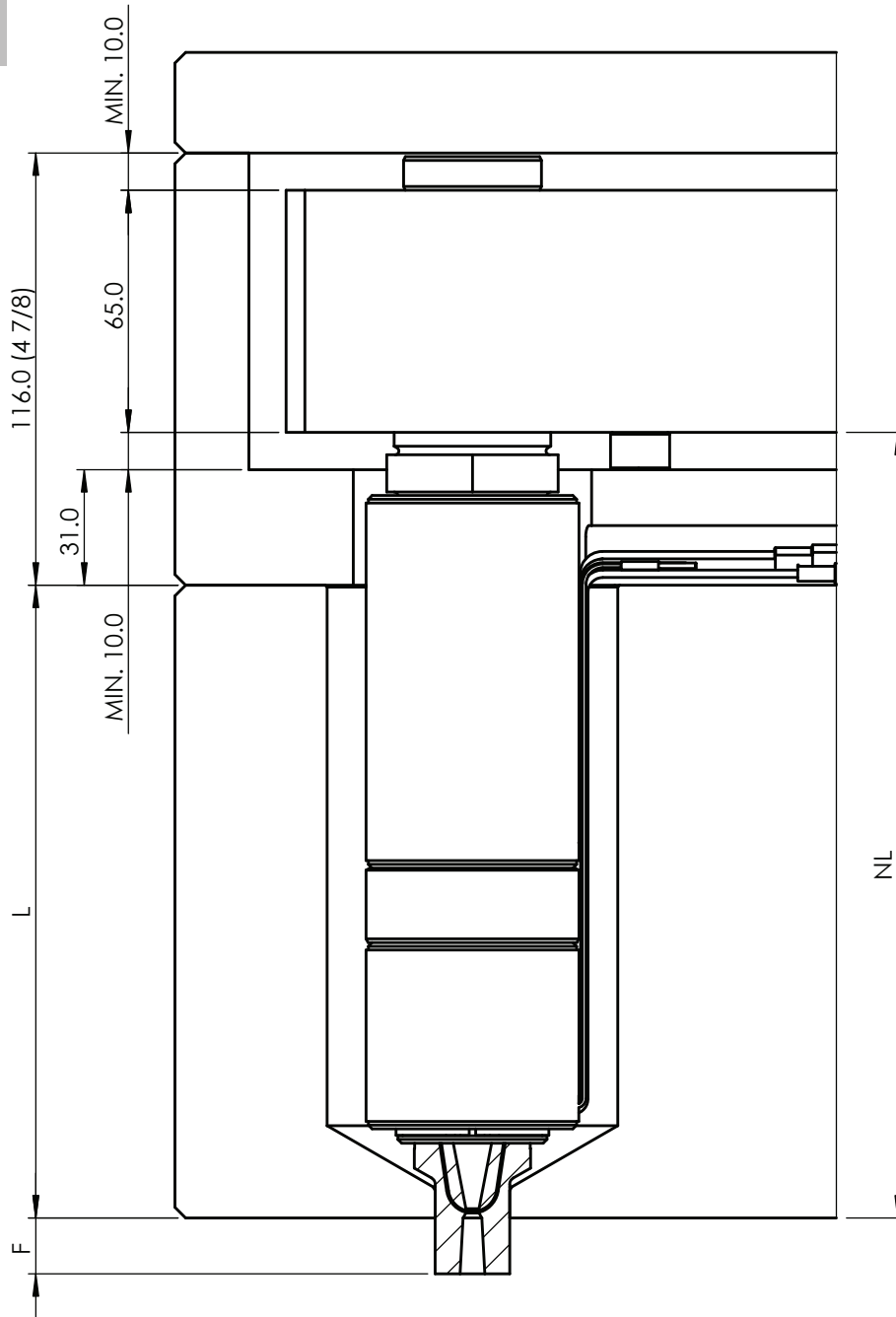
Gate Size
1.5
2.5
3.5

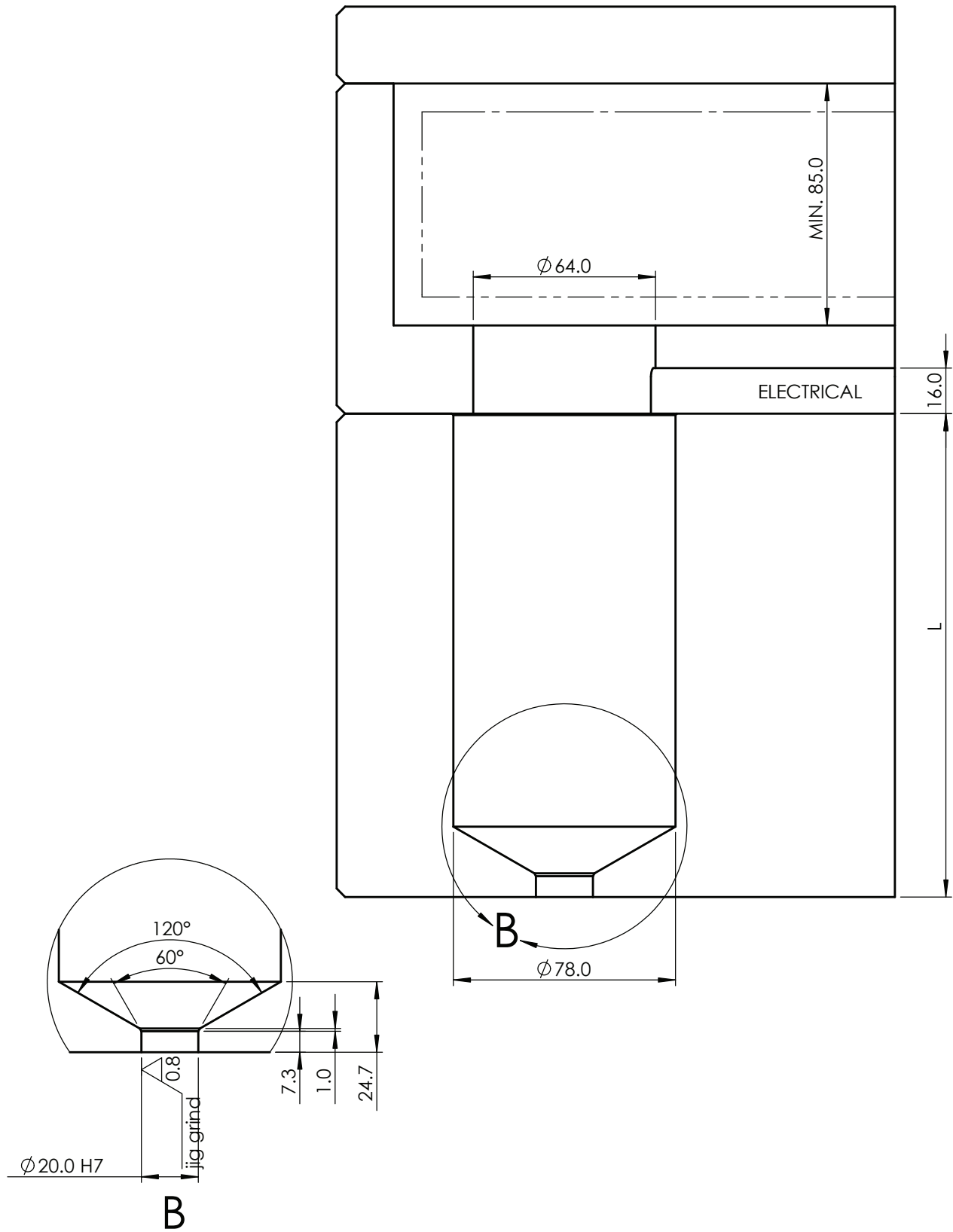






Gate Size
1.5
2.5
3.5

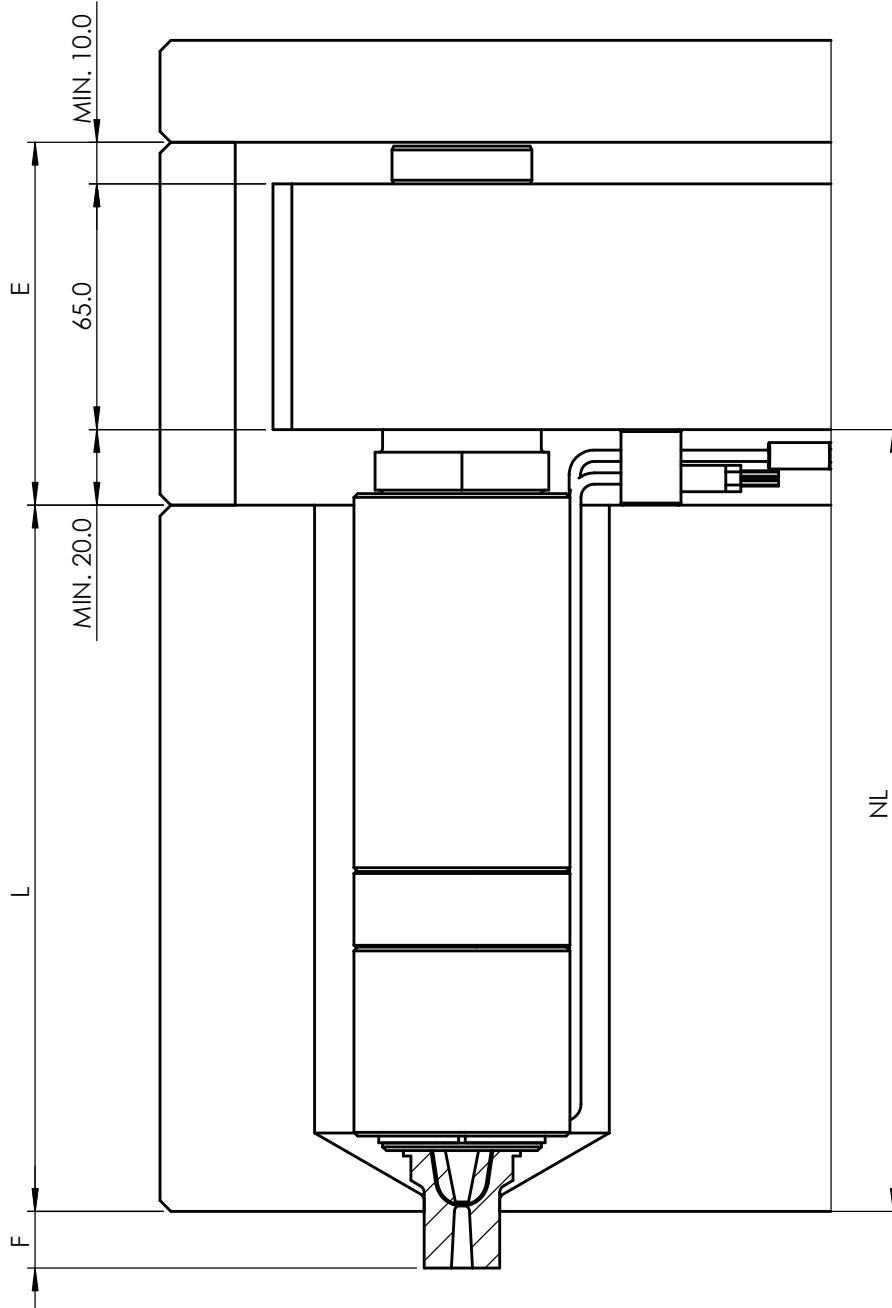


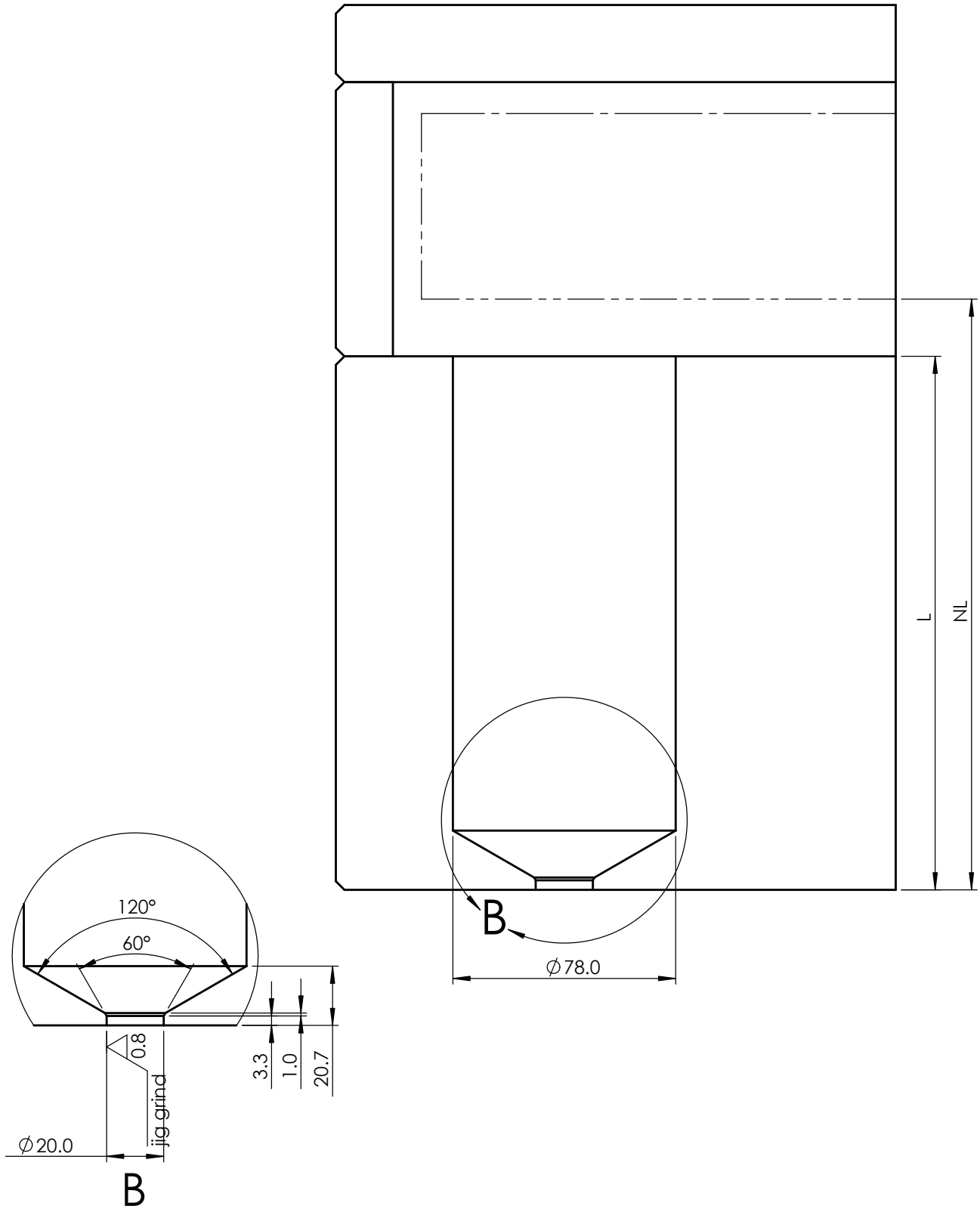


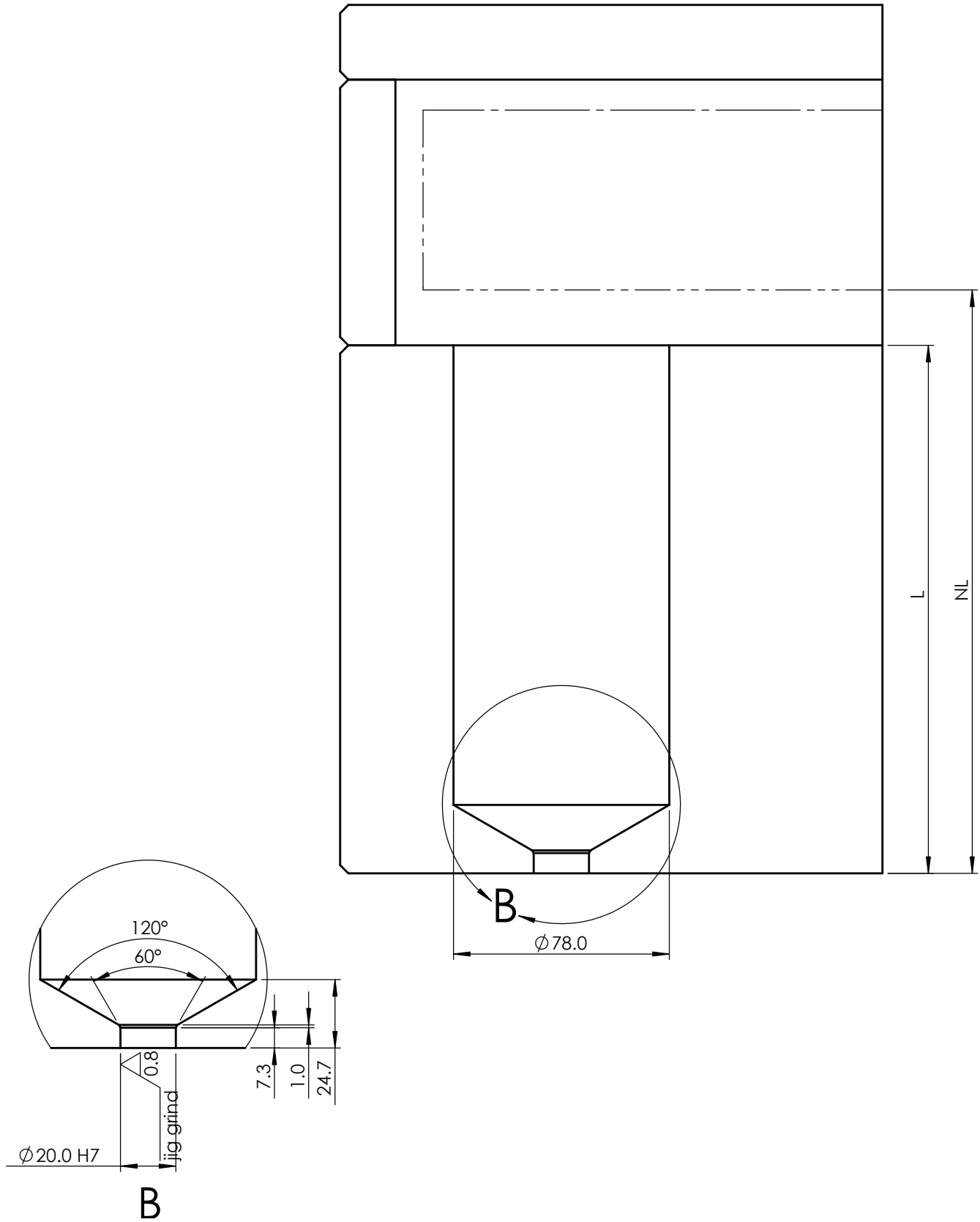
N20T---O24--



Gate Size
1.5
2.5
3.5



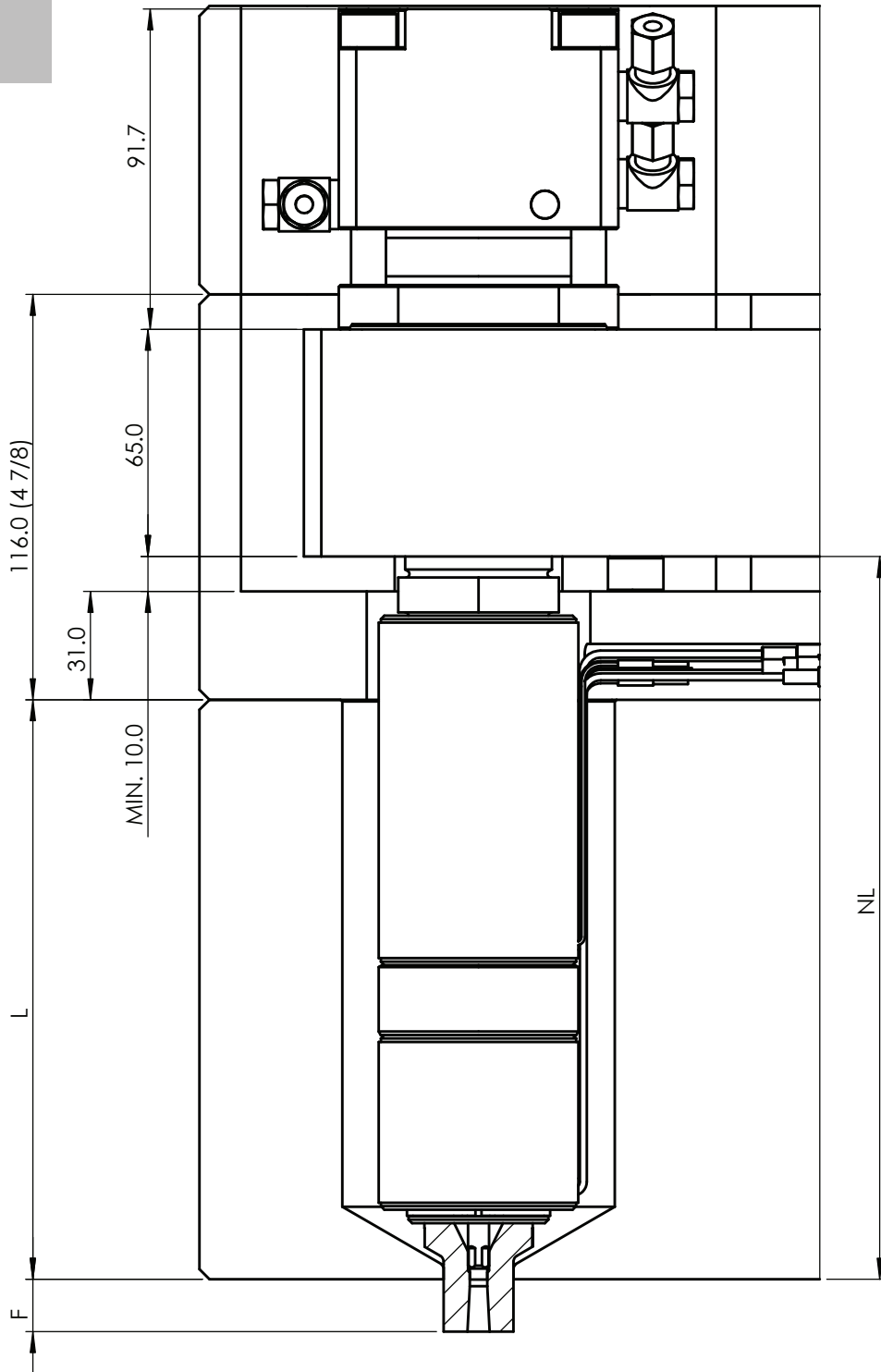


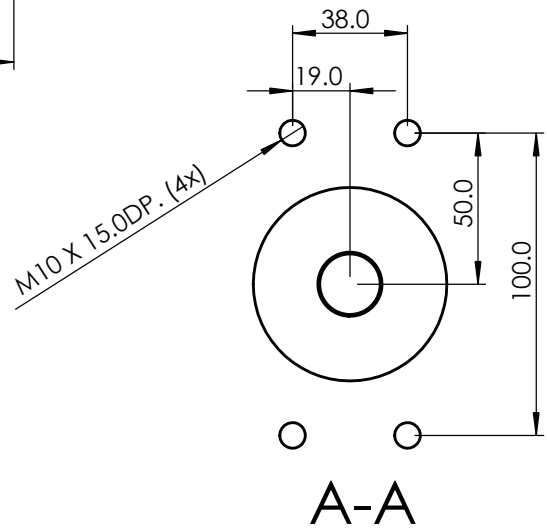
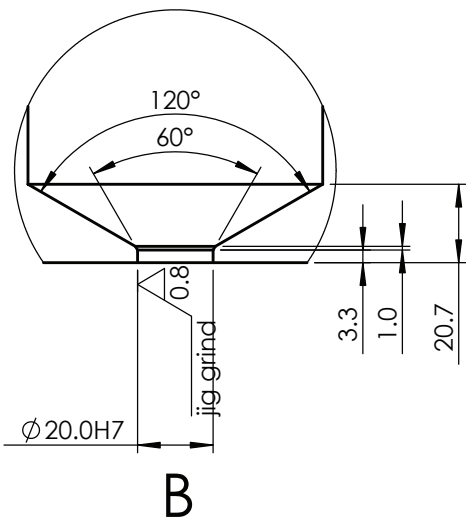
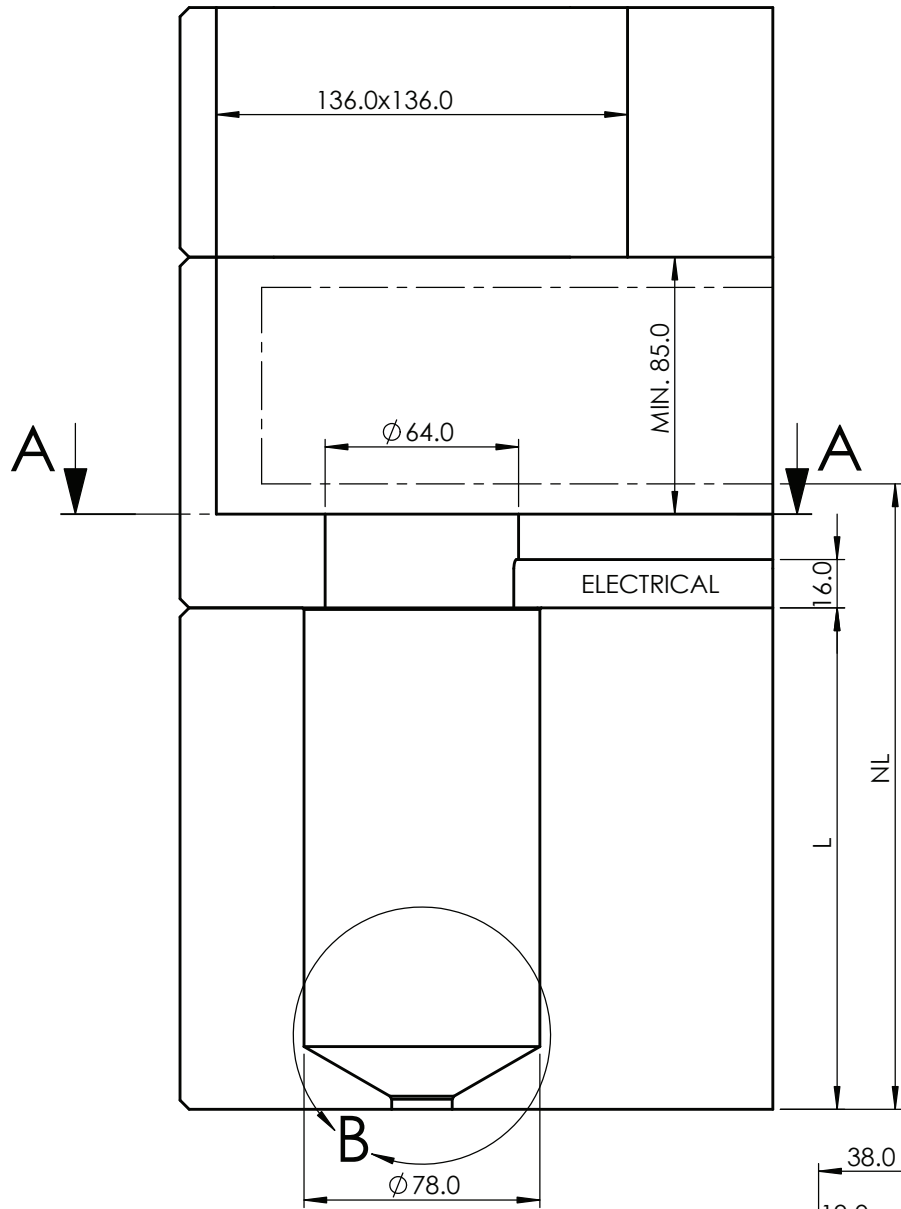


N20T---V24--



Gate Size
3.0
4.0
5.0

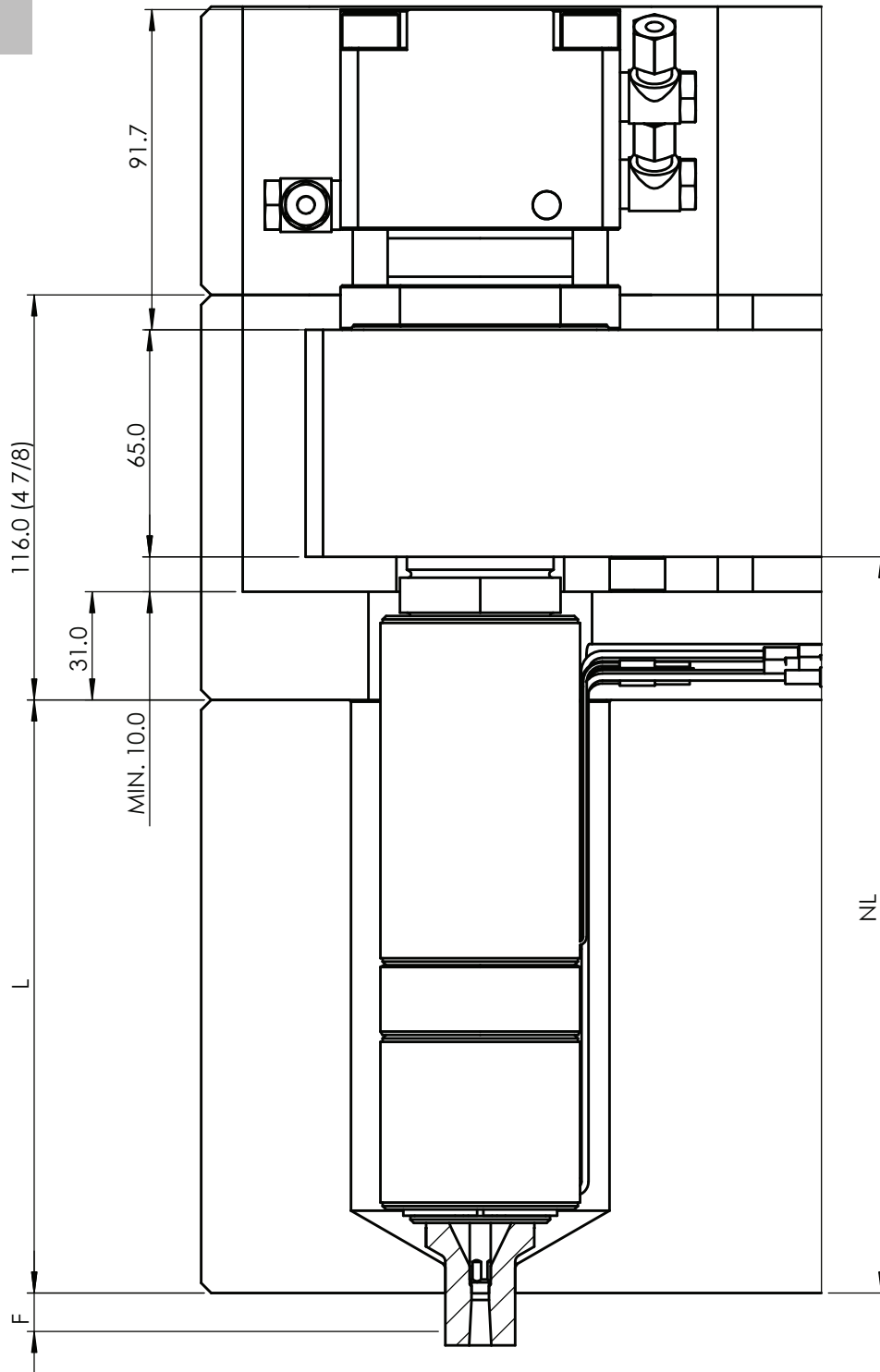


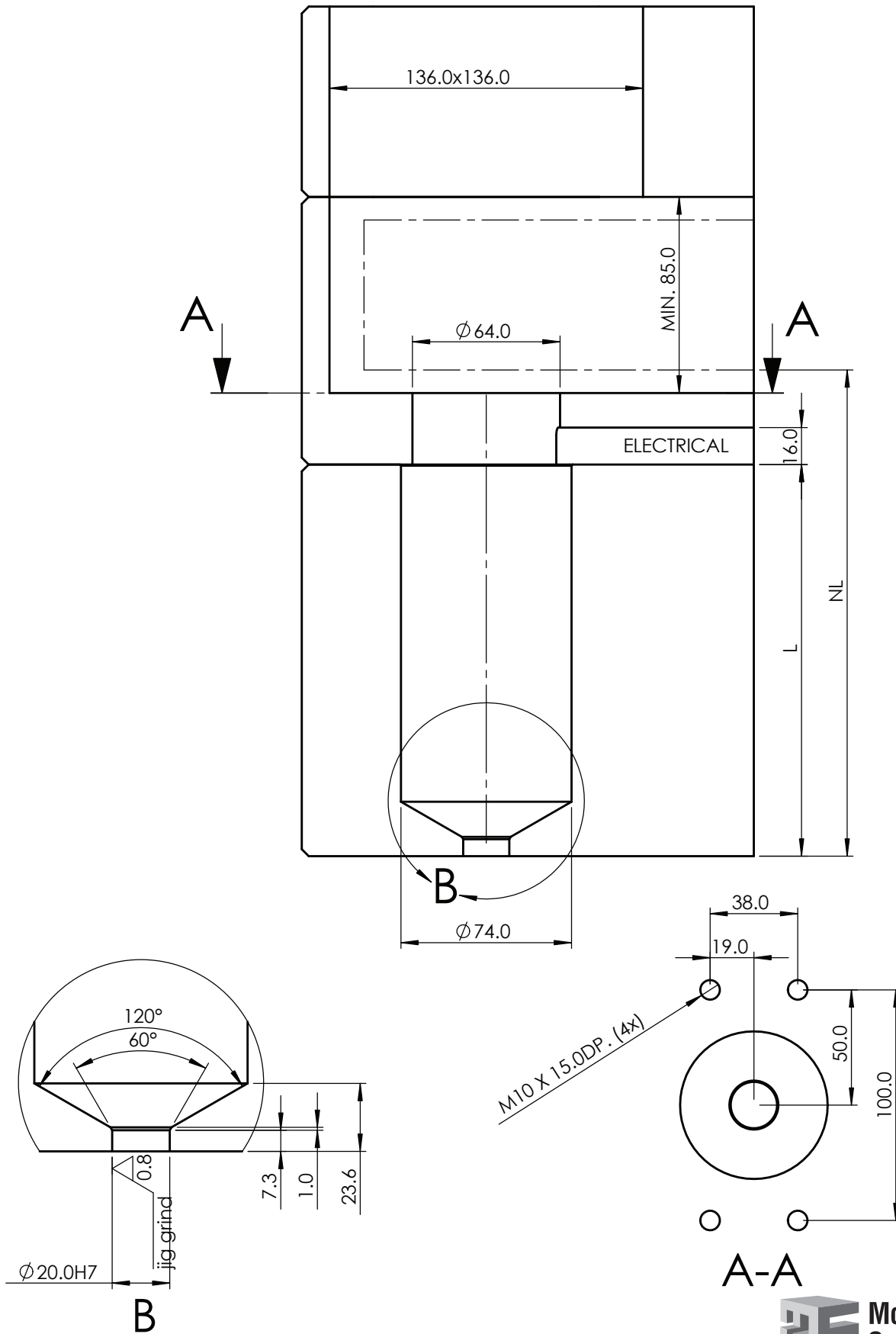


N20T---V28--



Gate Size
3.0
4.0
5.0

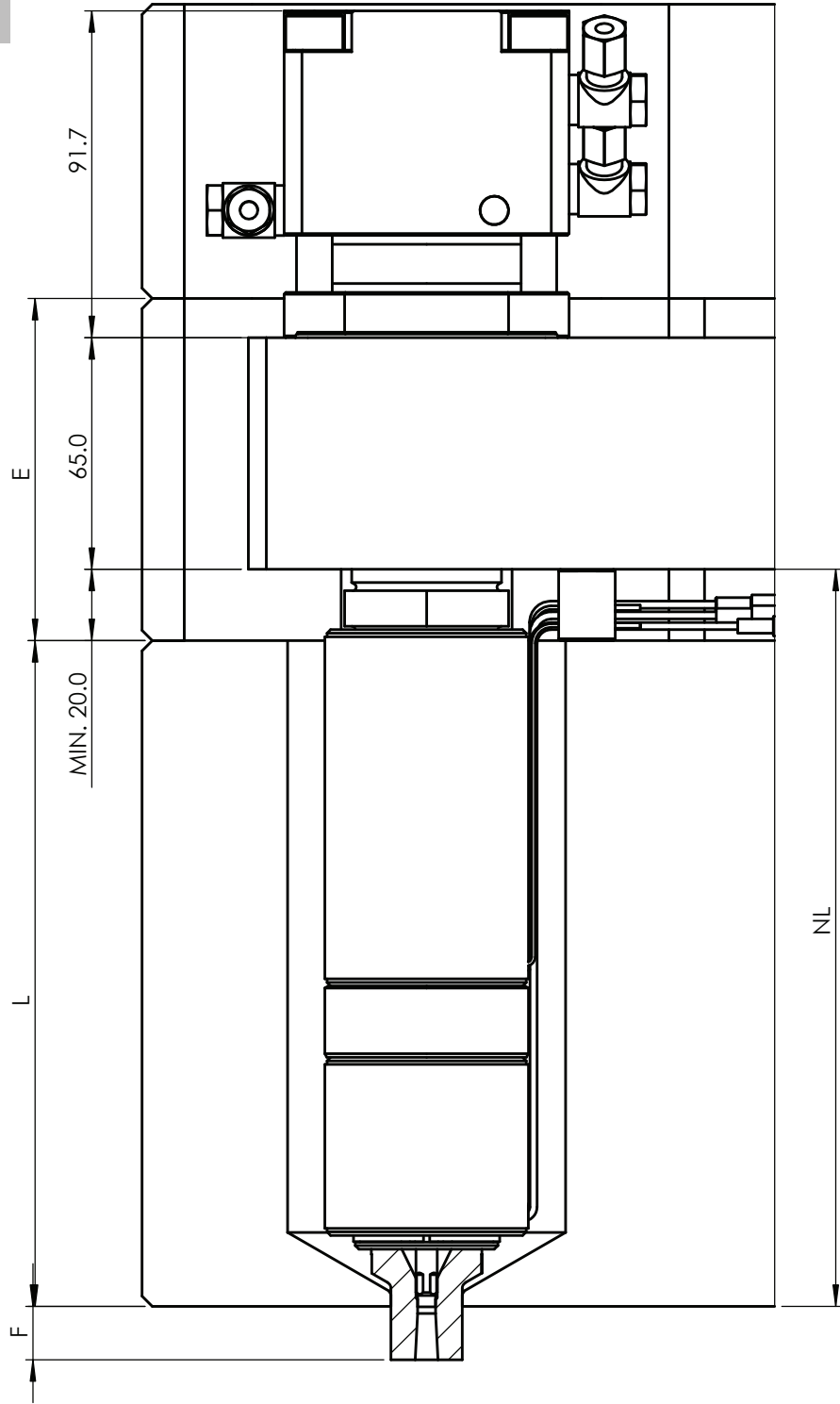


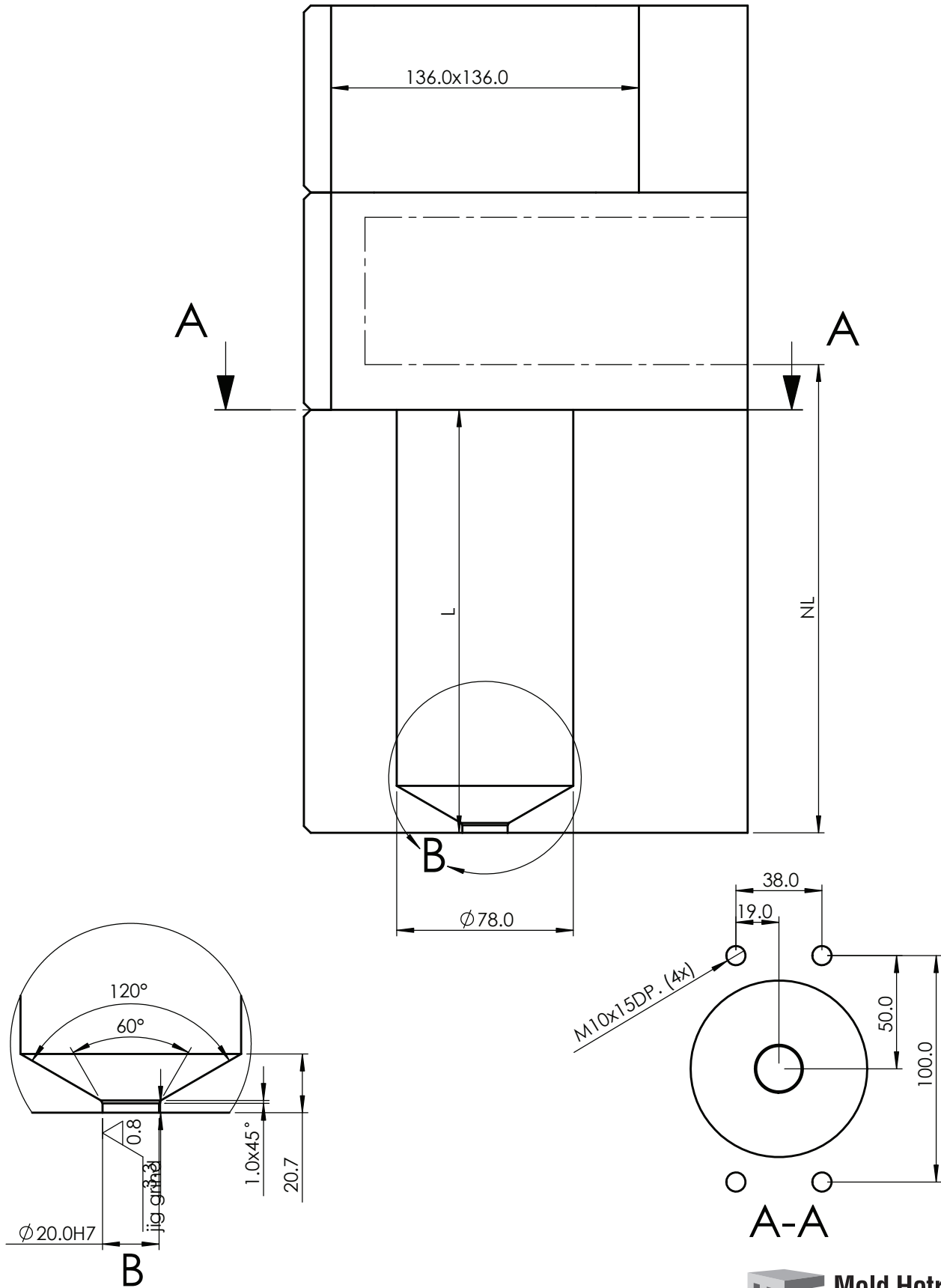


N20T---V24--



Gate Size
3.0
4.0
5.0

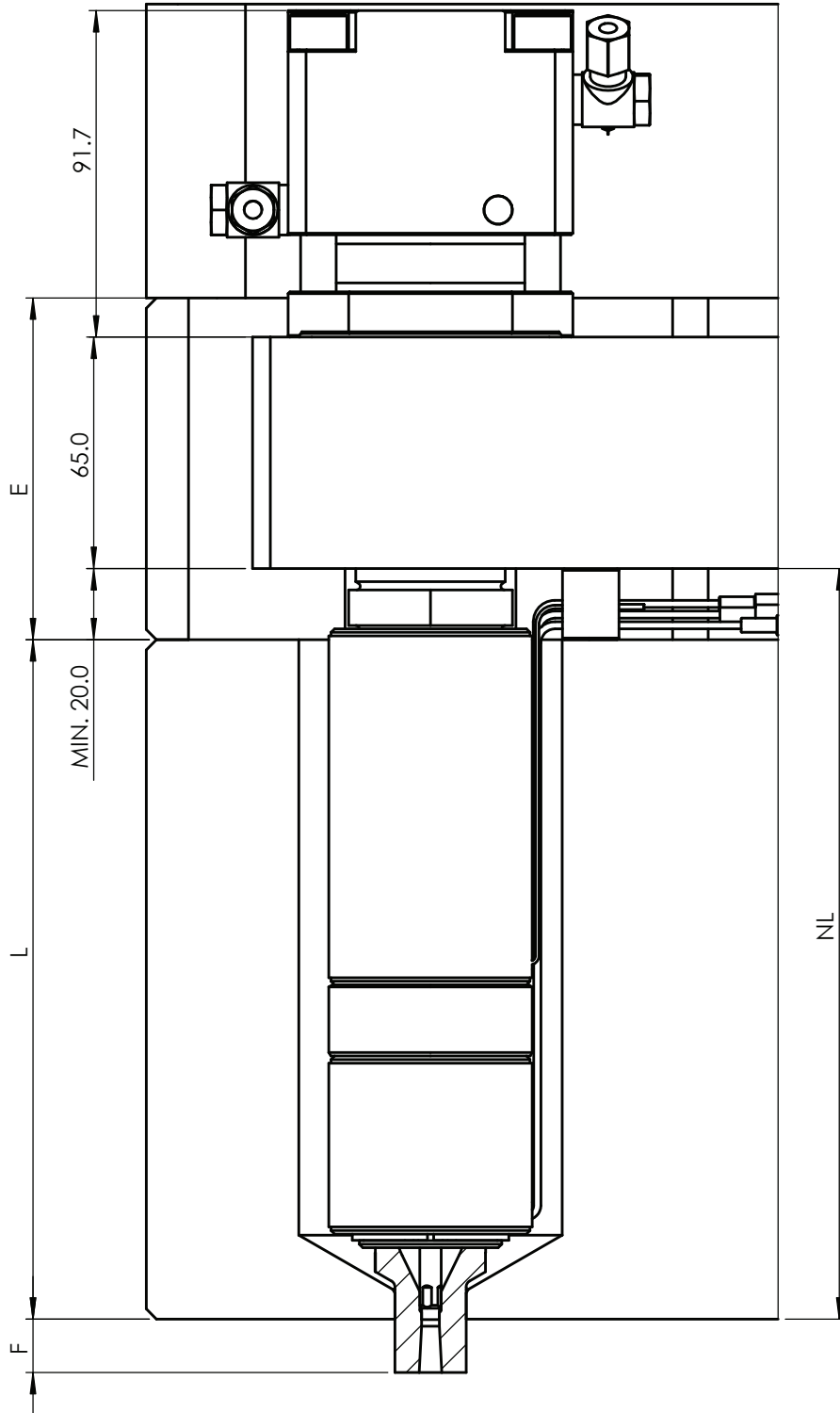


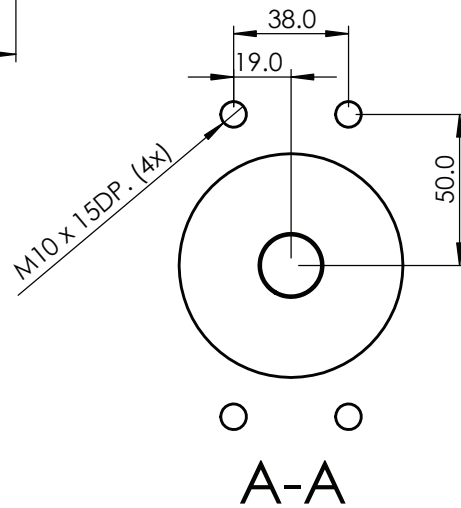
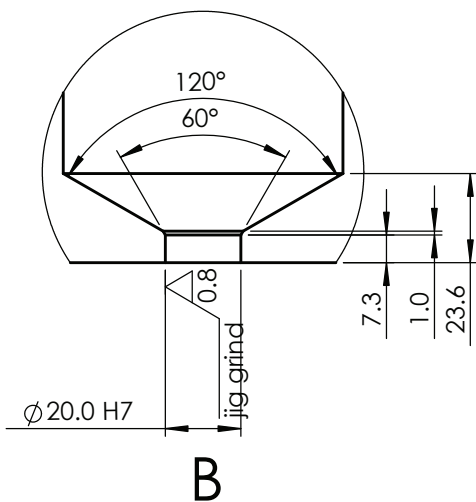
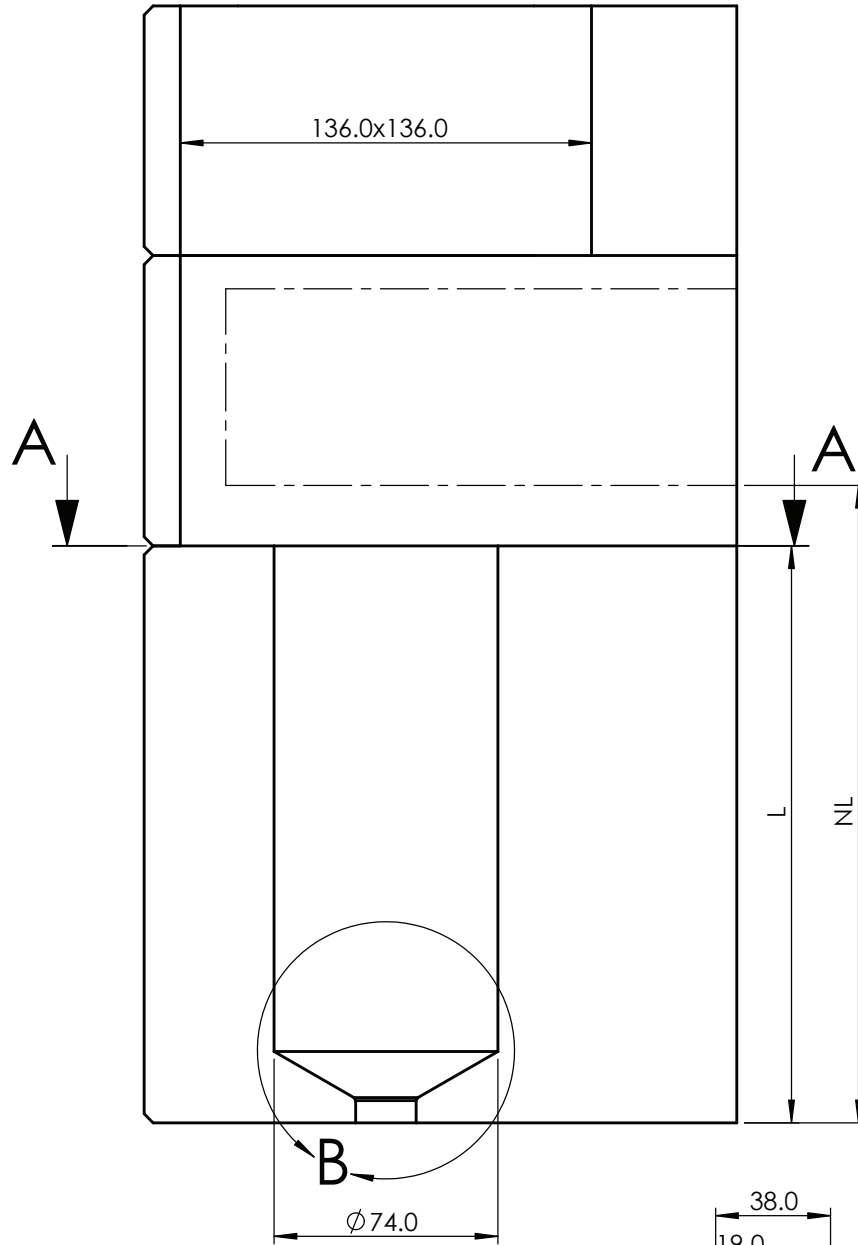


N20T---V28--



Gate Size
3.0
4.0
5.0

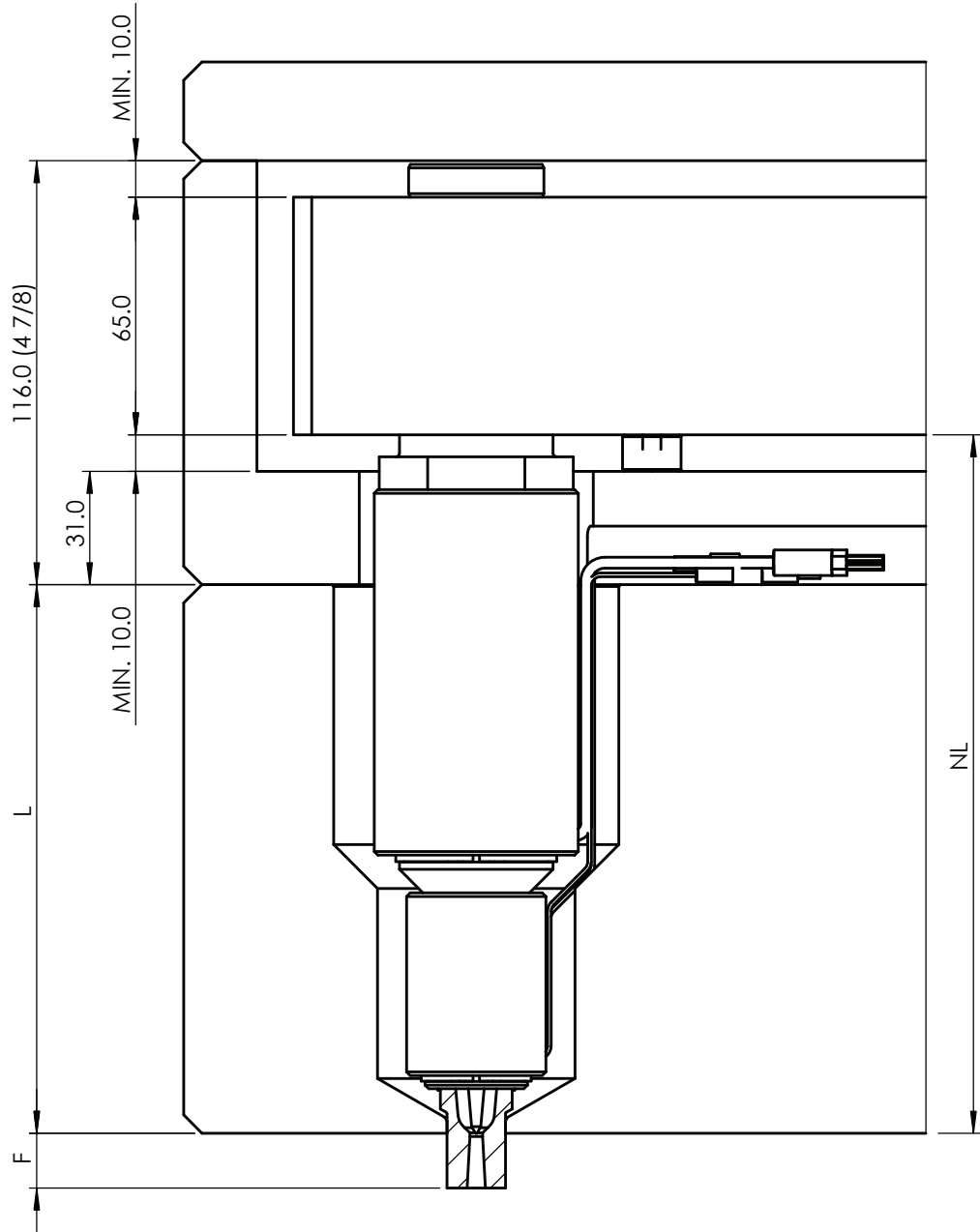


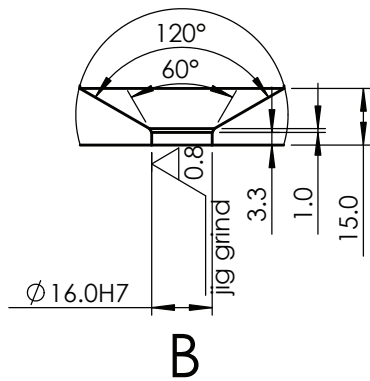
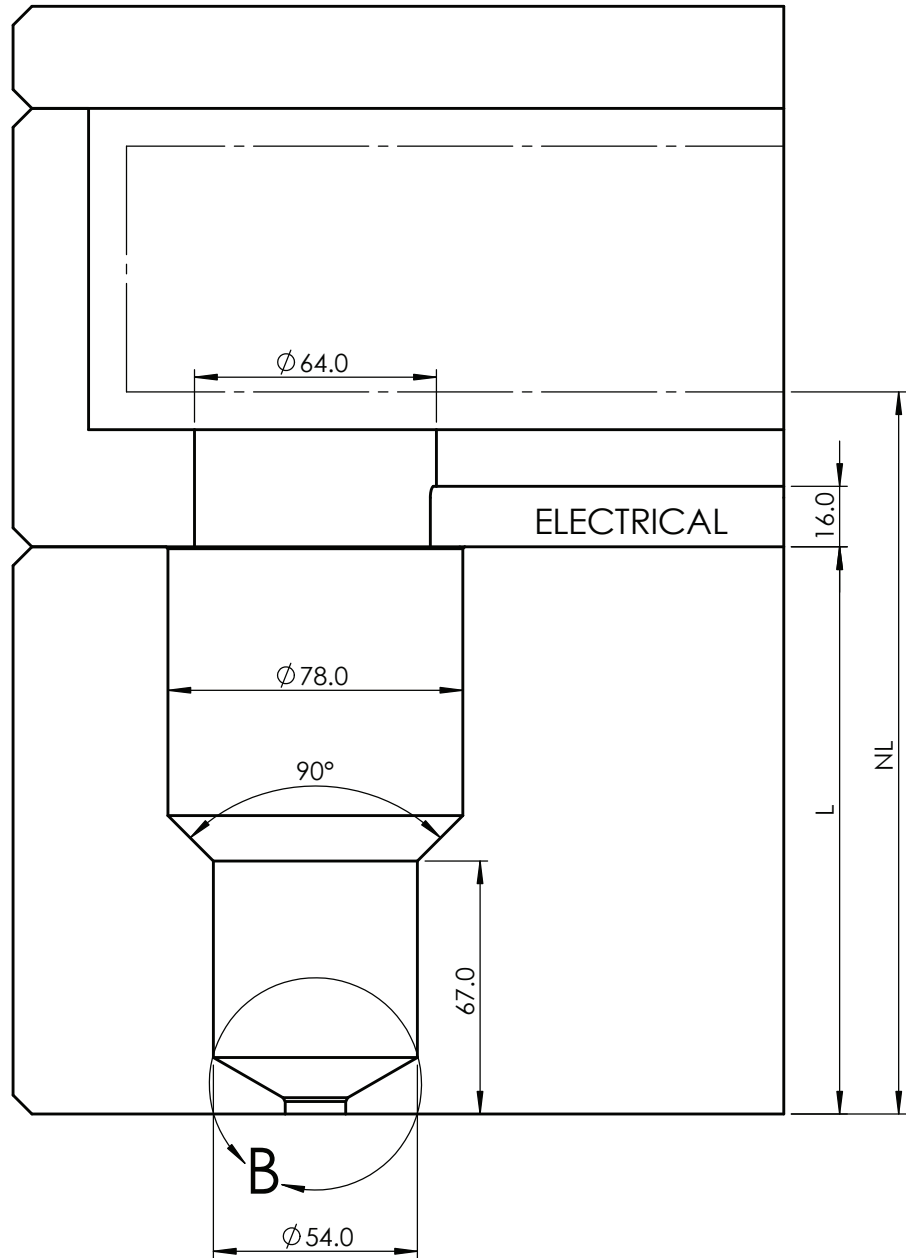


N20N12T---R24--



Gate Size
1.5
2.5
3.5

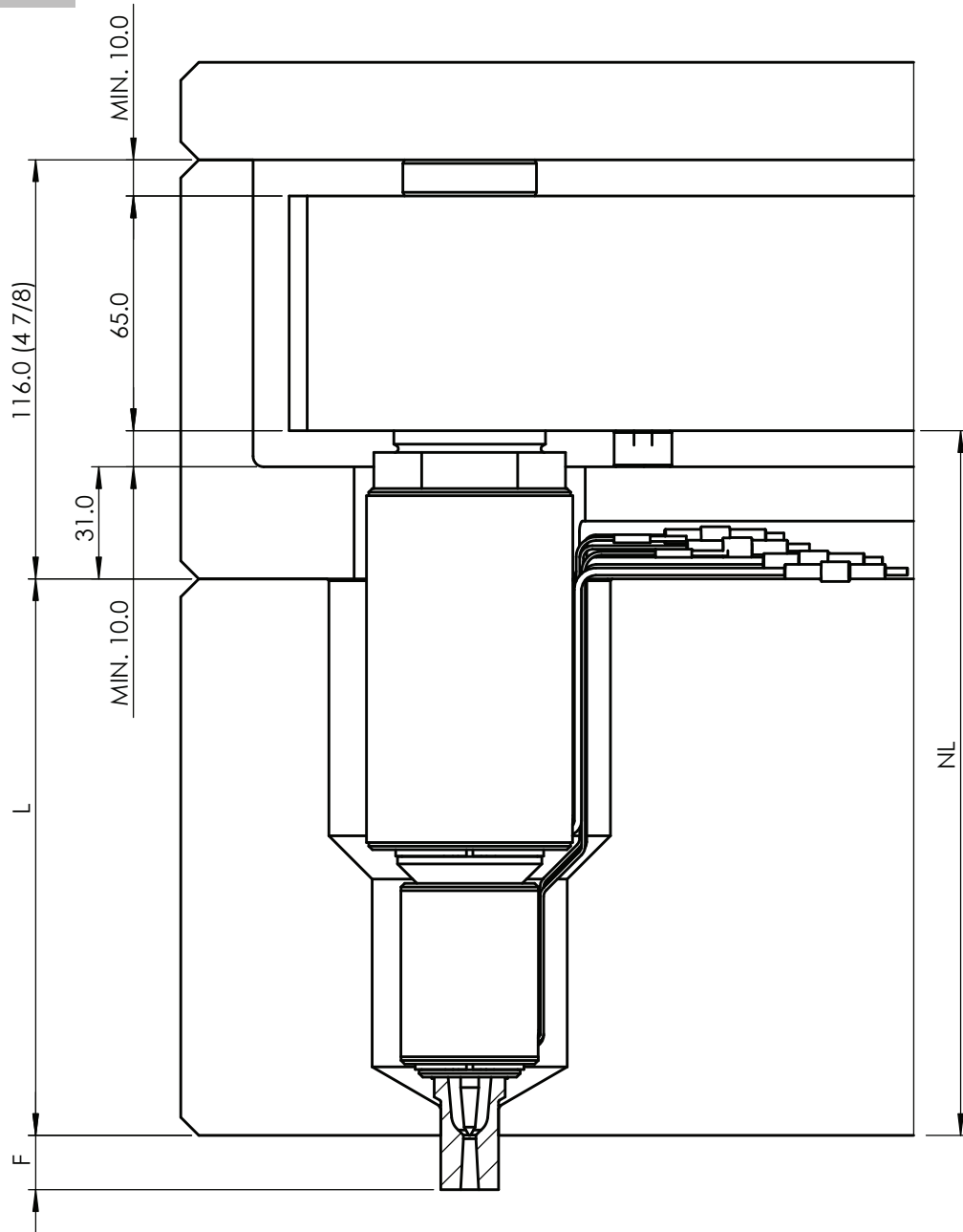


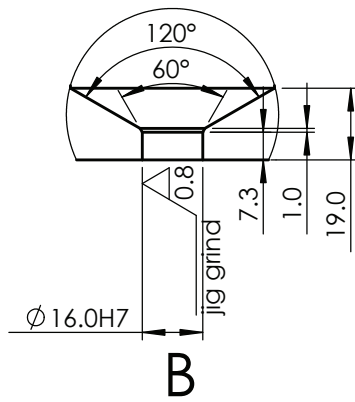
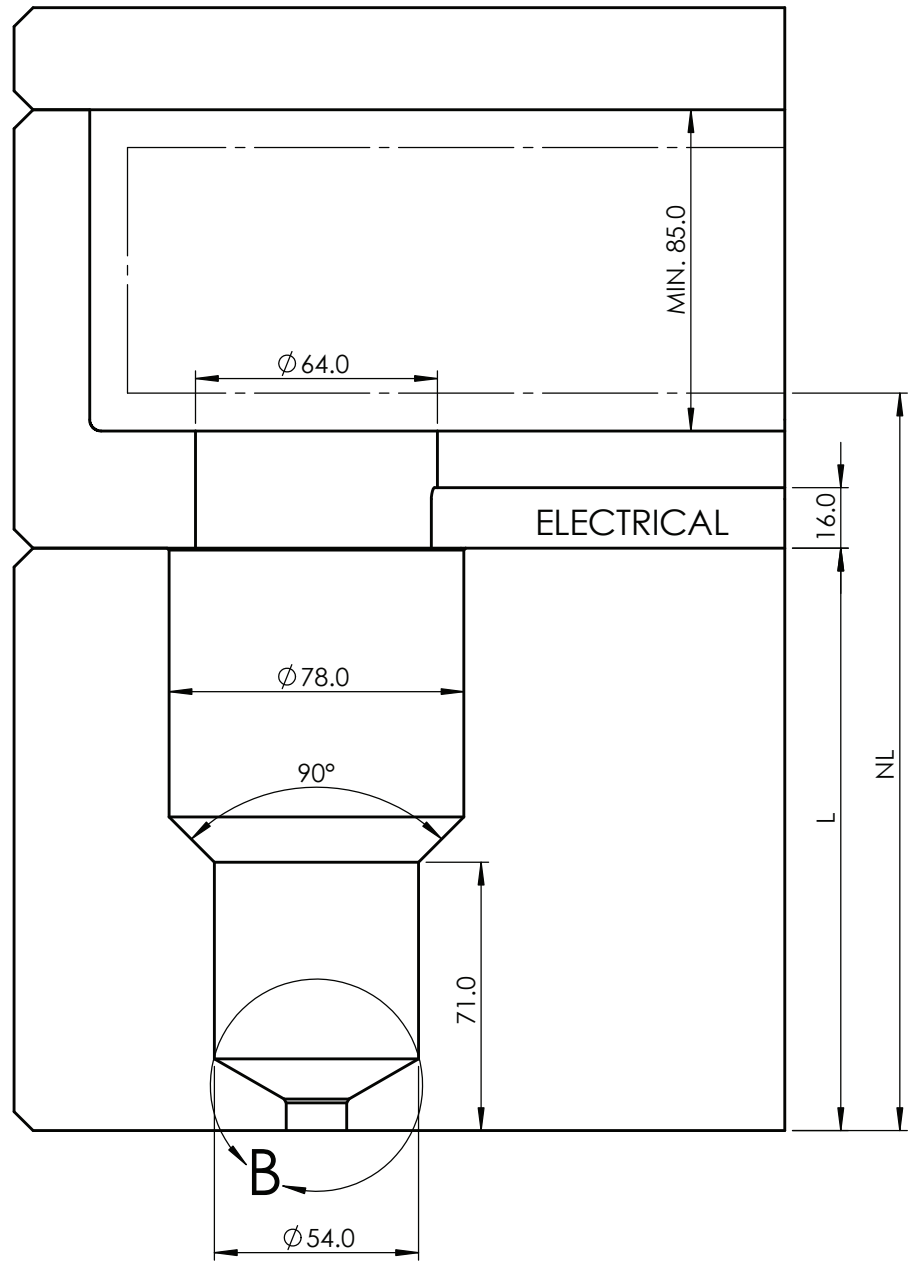


N20N12T---R28--



Gate Size
1.5
2.5
3.5

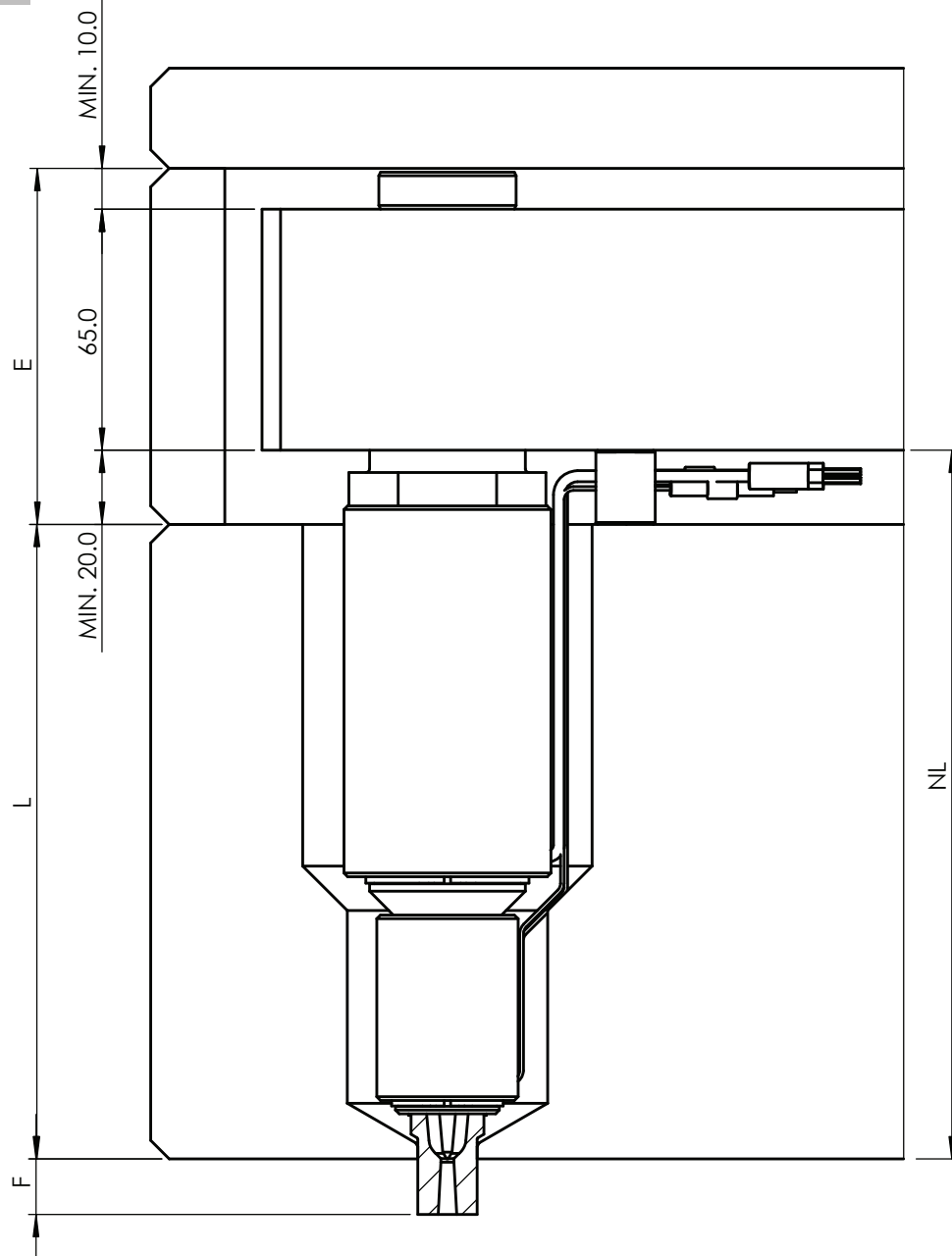


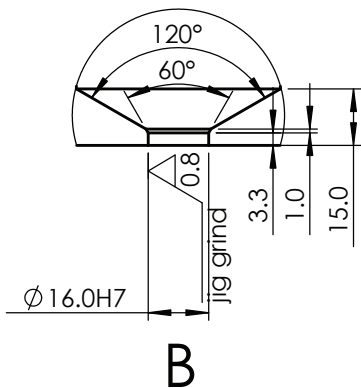
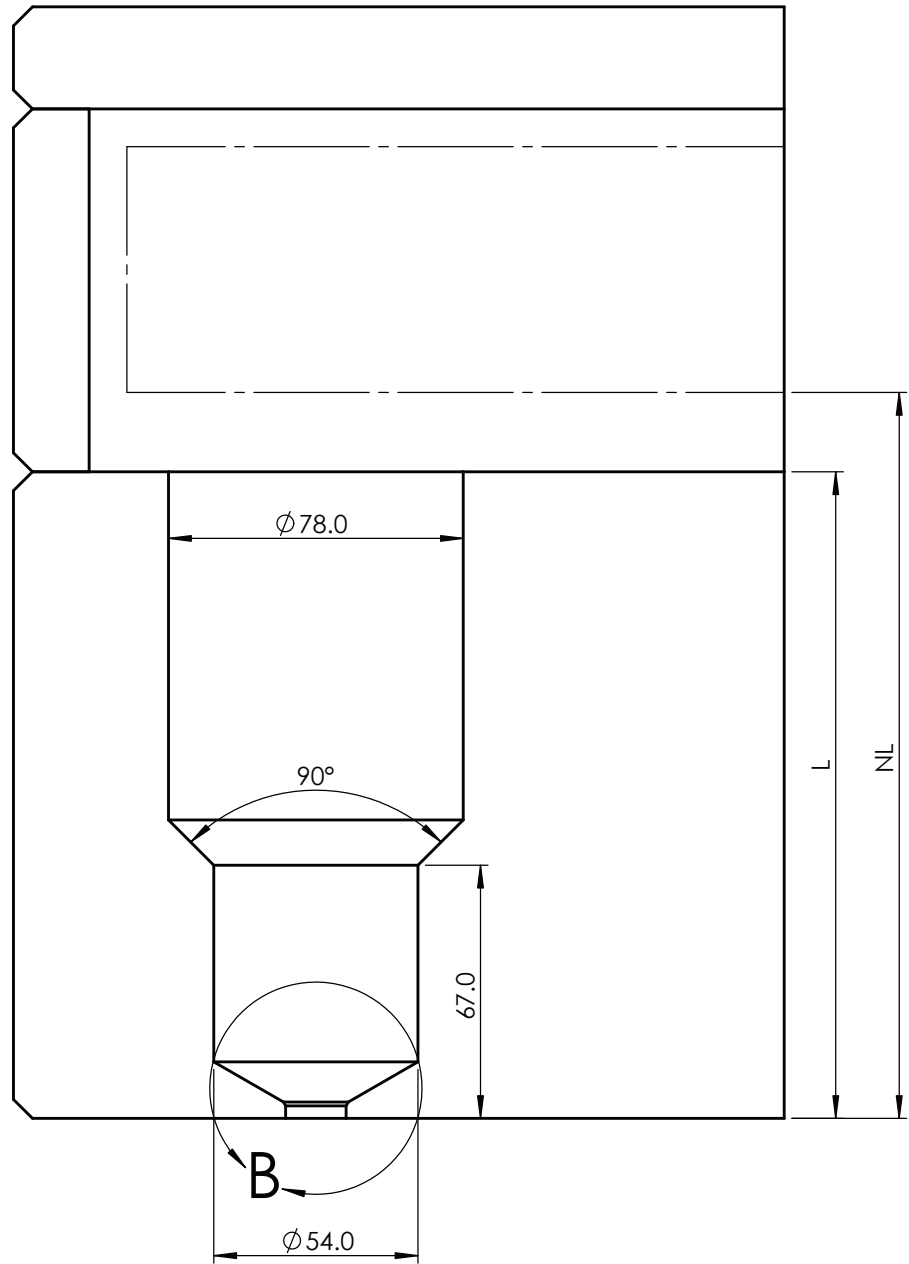


N20N12T---R24--



Gate Size
1.5
2.5
3.5

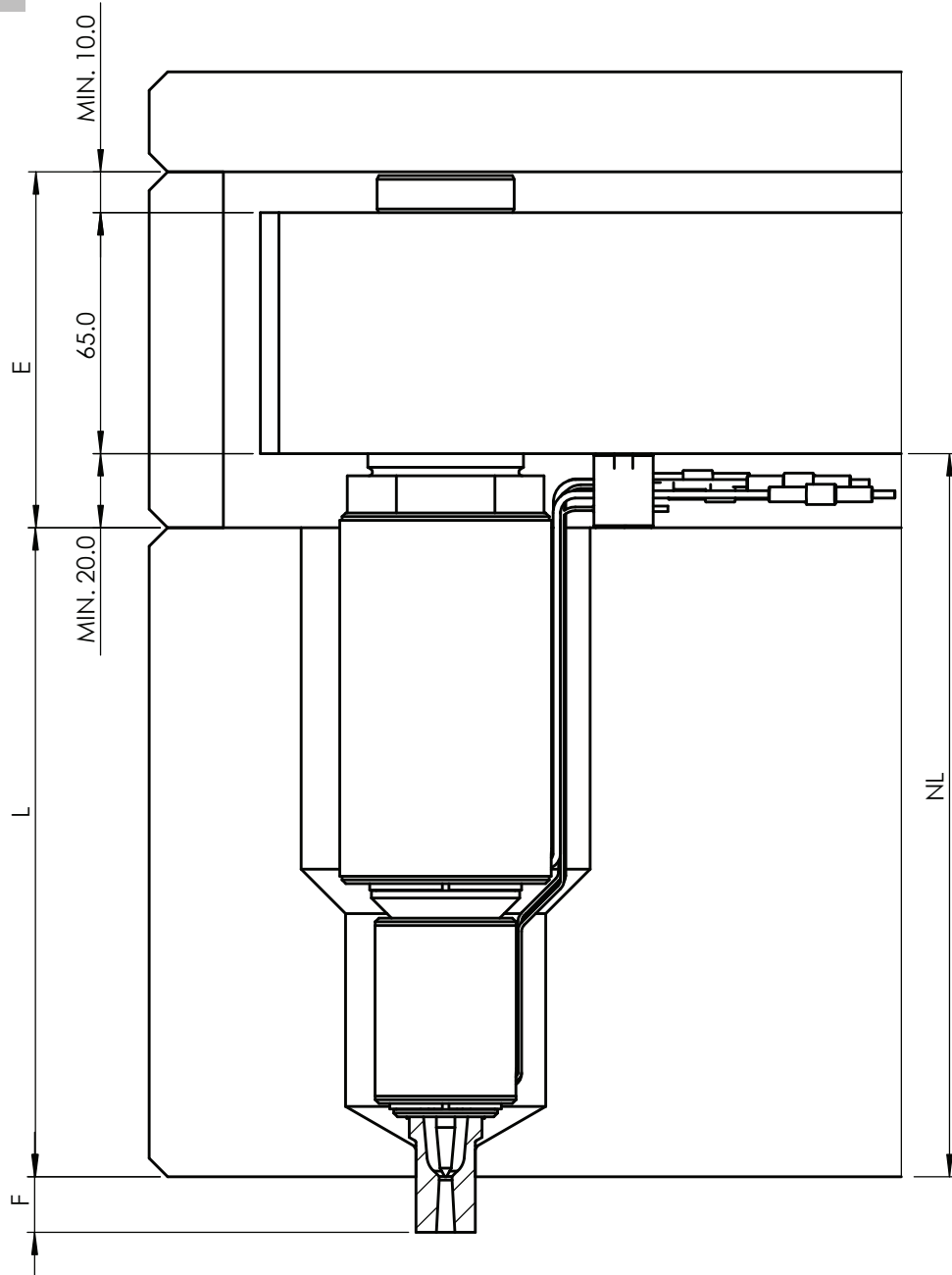


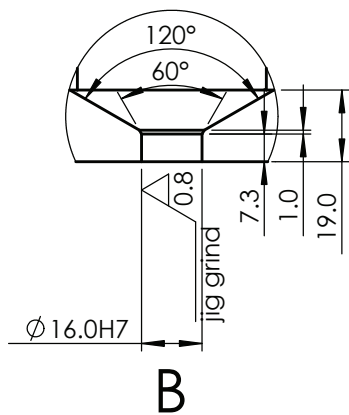
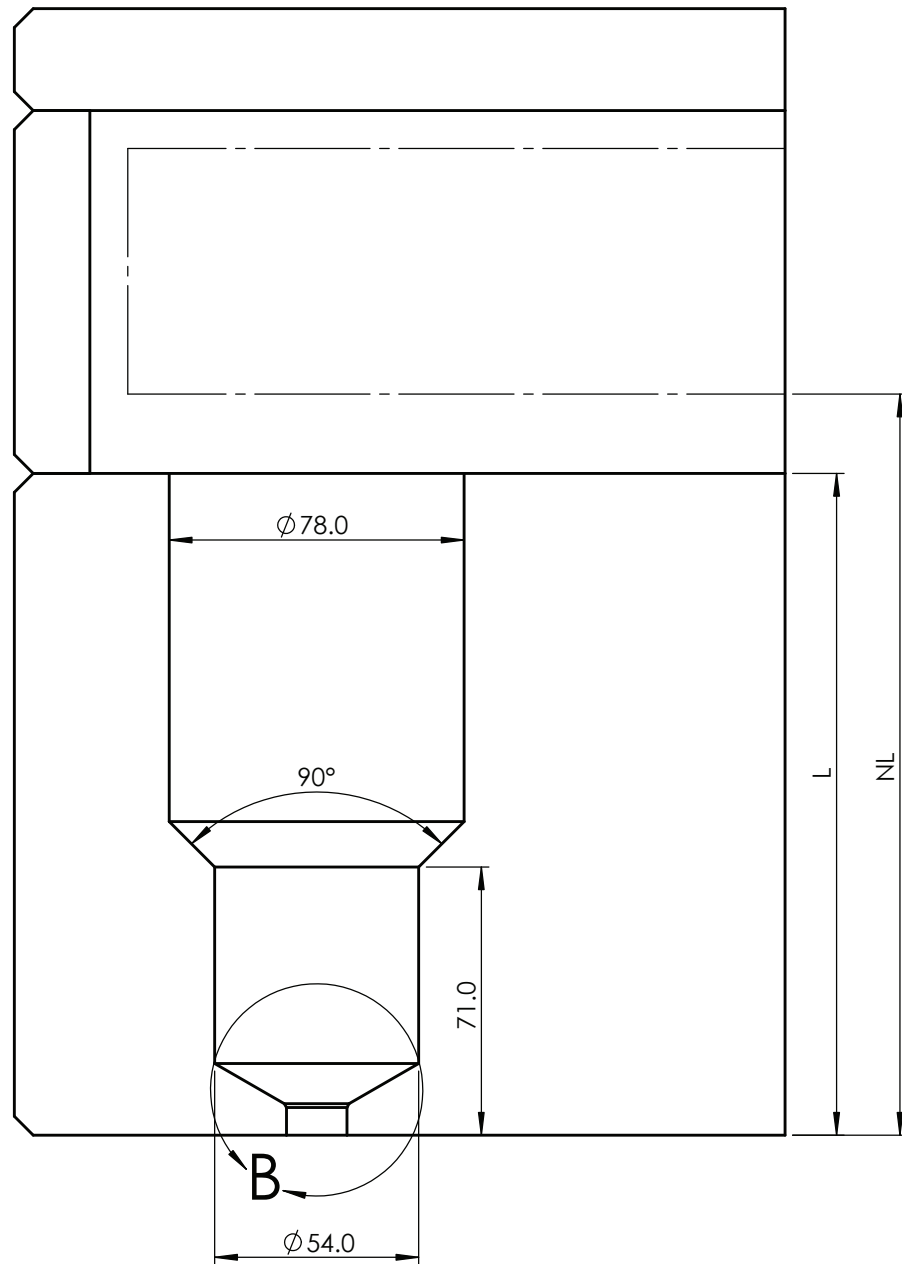


N20N12T---R28--



Gate Size
1.5
2.5
3.5

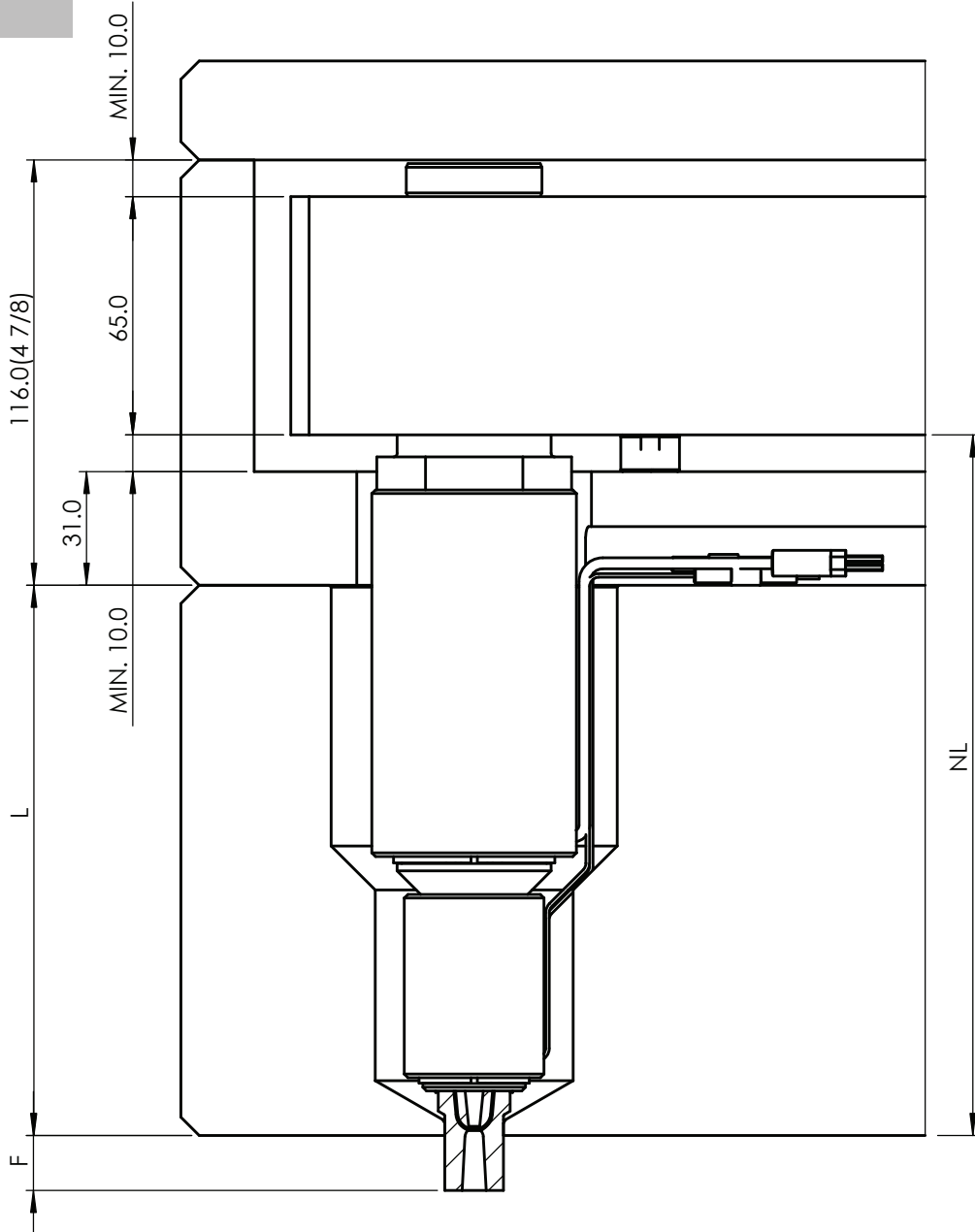


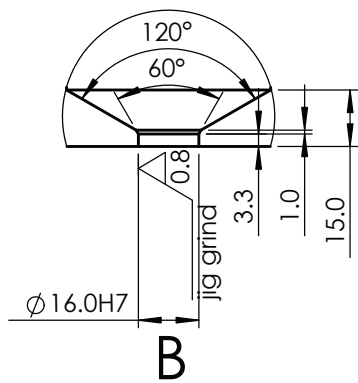
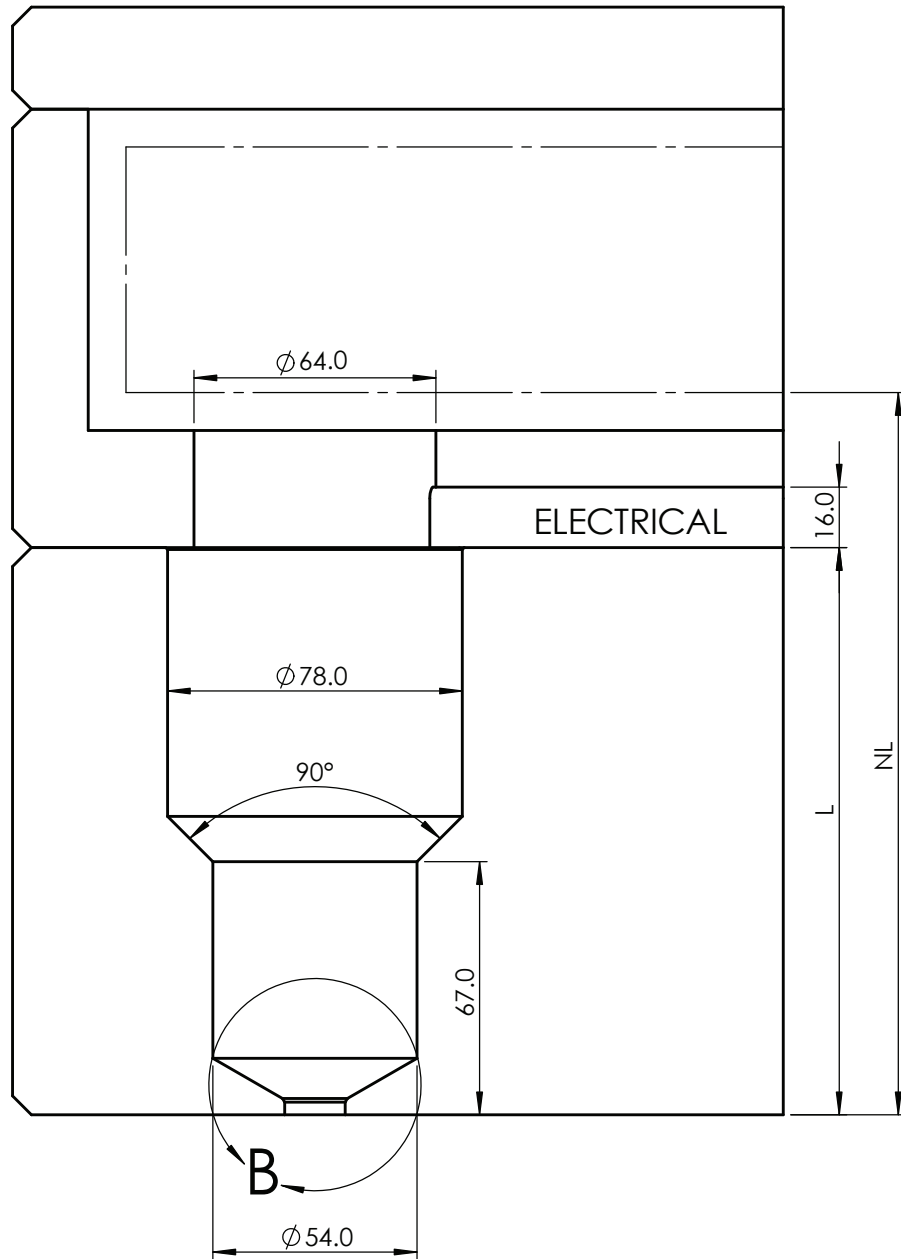


N20N12T---O24--



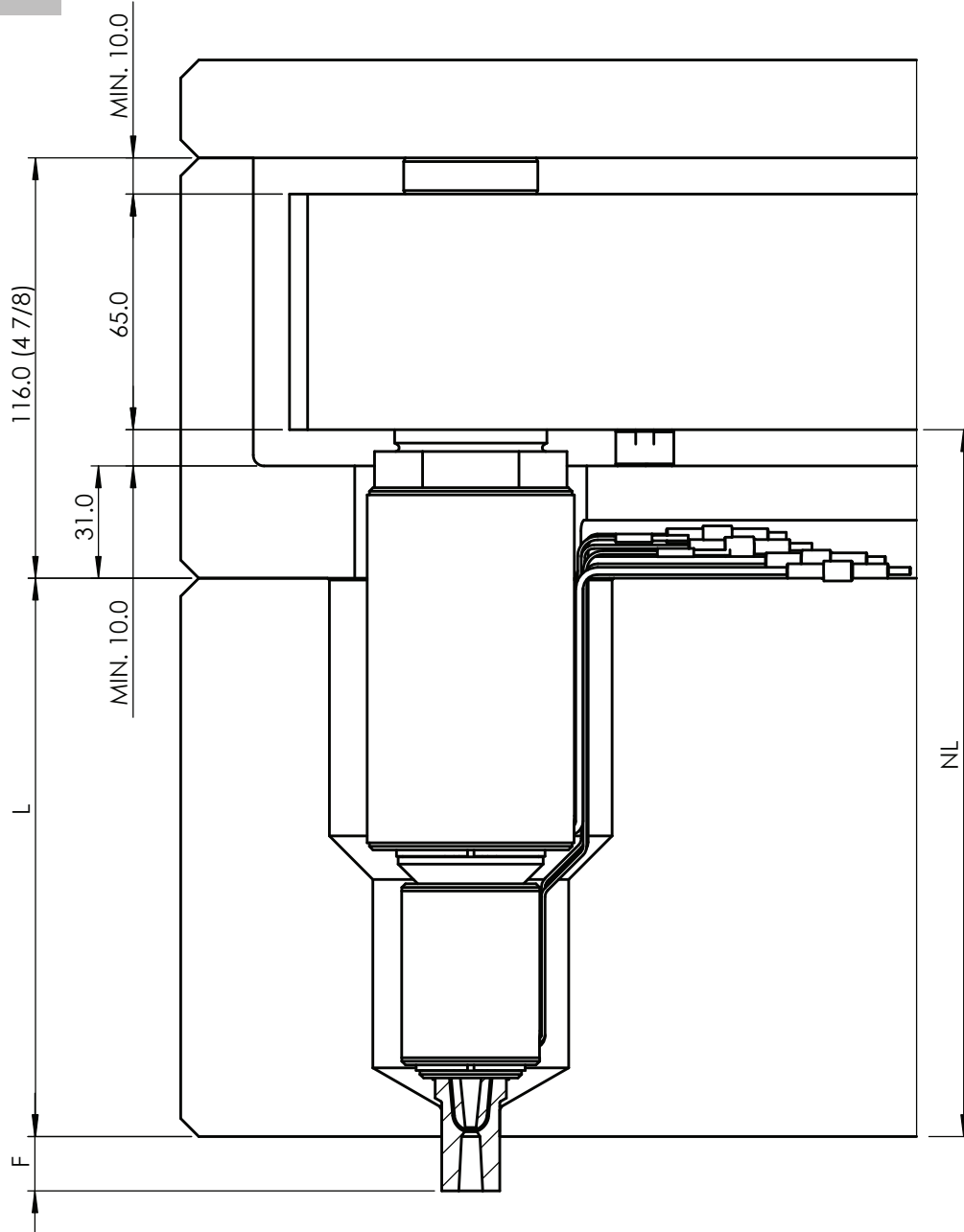
Gate Size
1.5
2.5
3.5

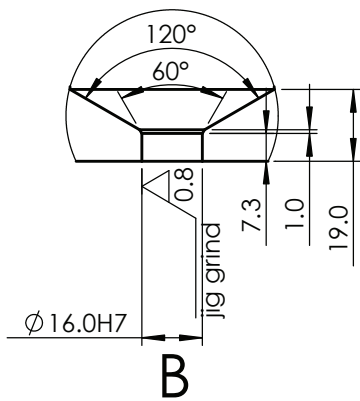
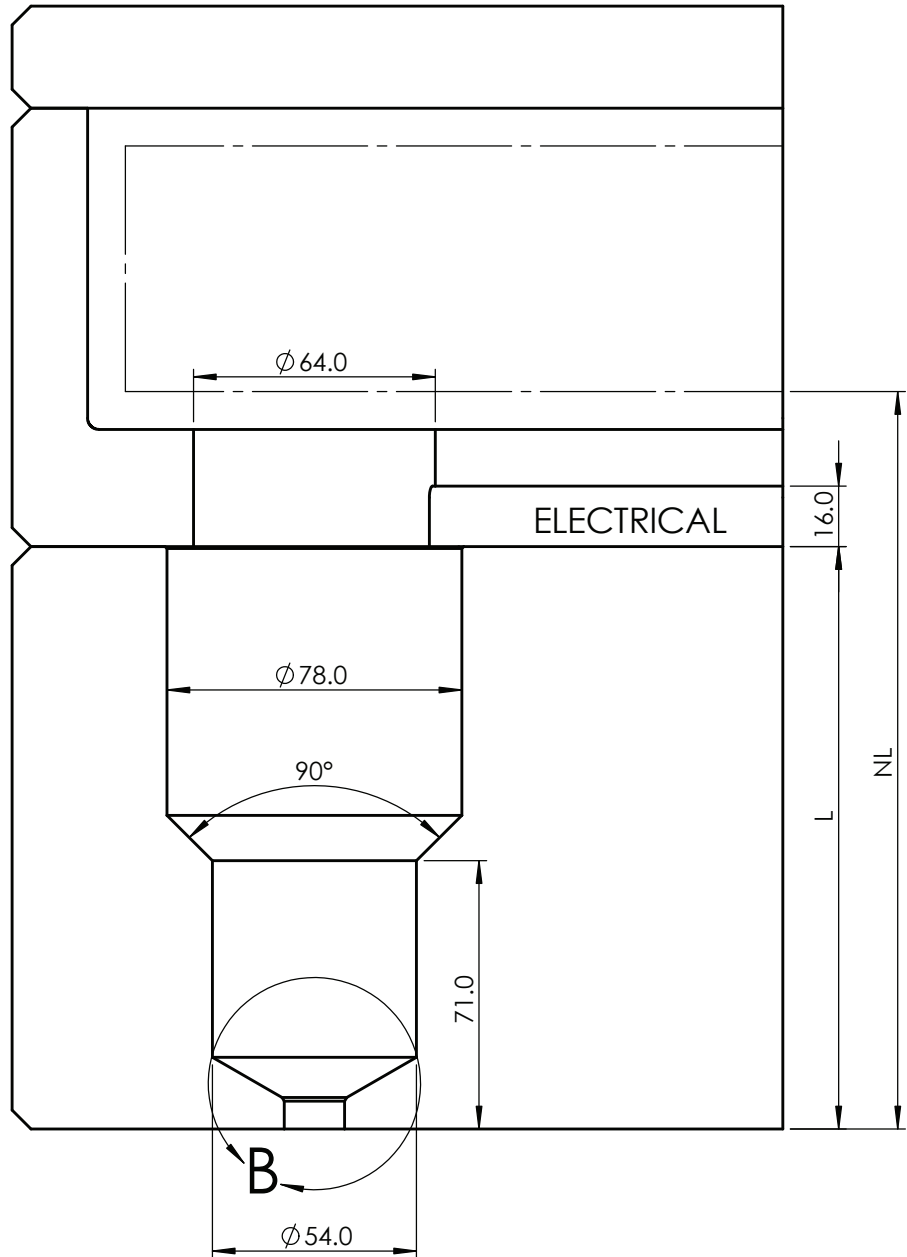






Gate Size
1.5
2.5
3.5

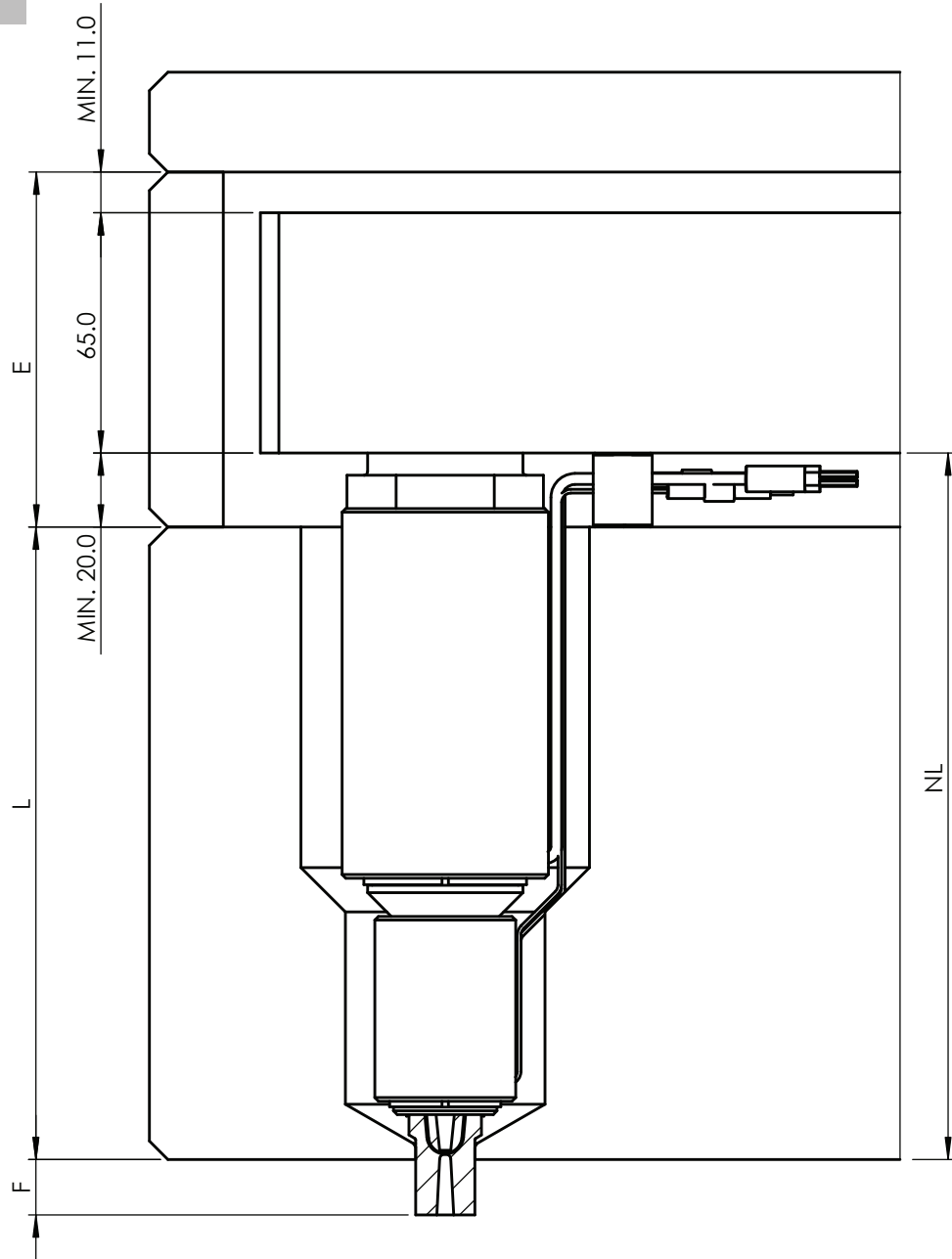


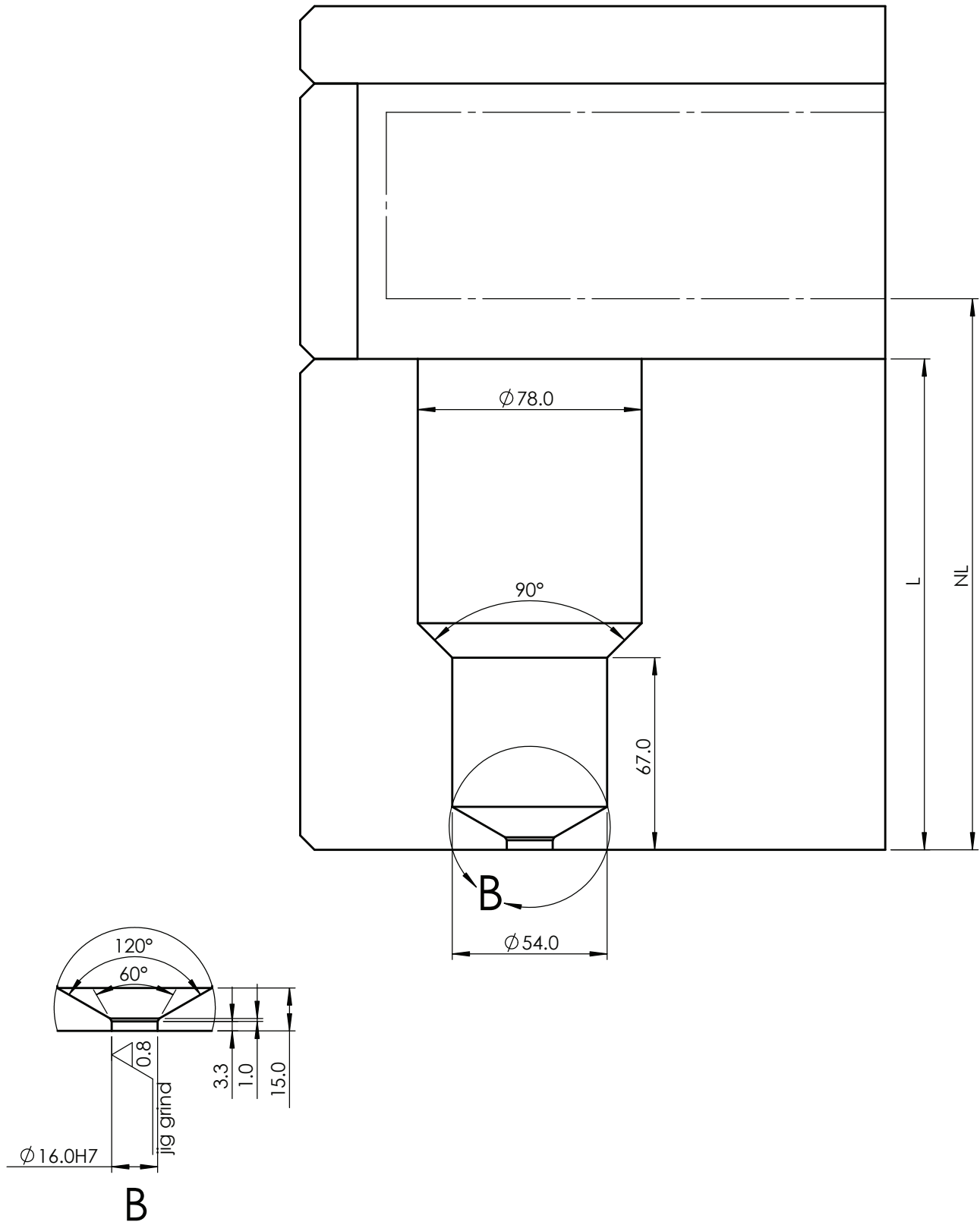


N20N12T---O24--



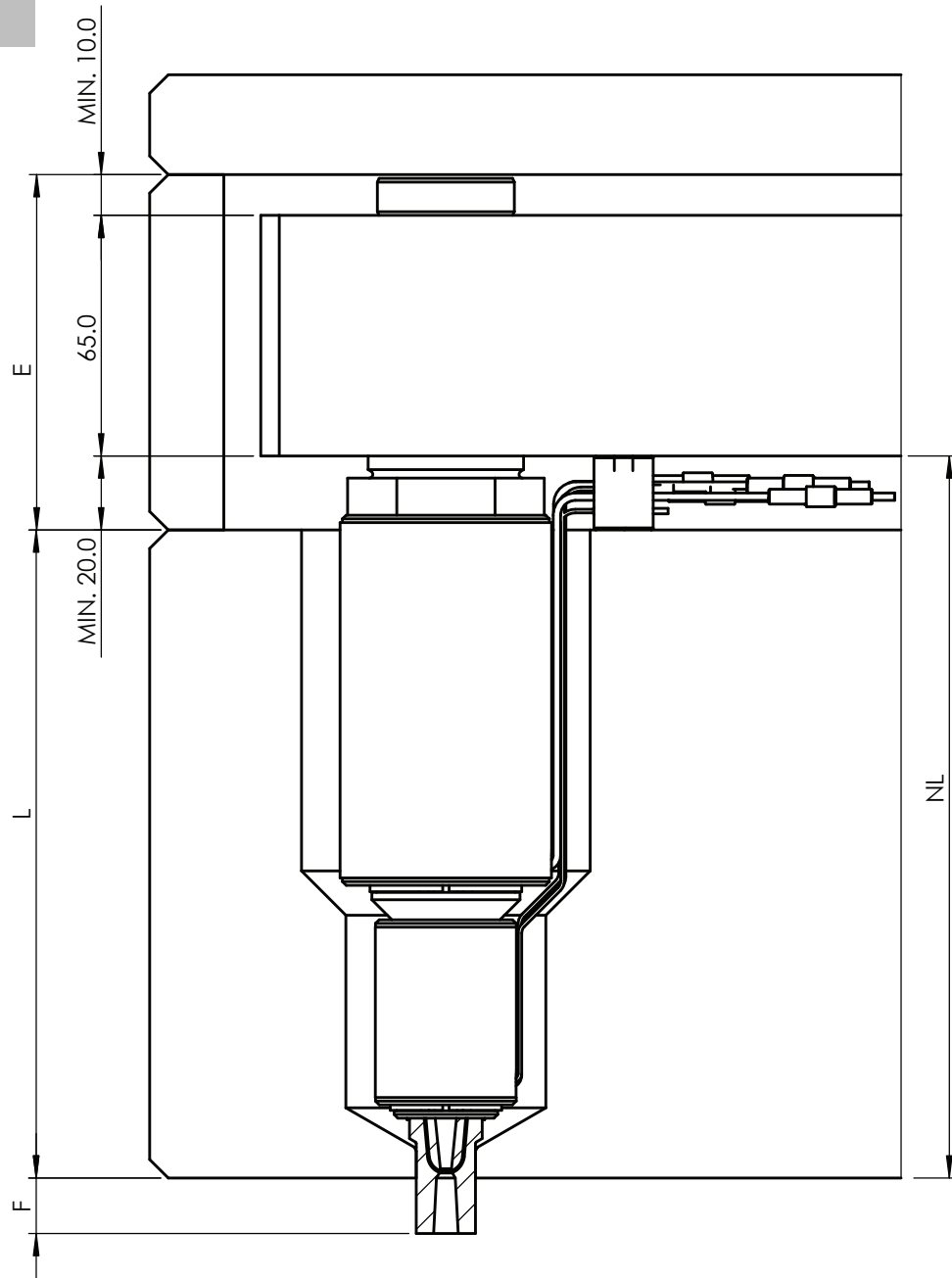
Gate Size
1.5
2.5
3.5

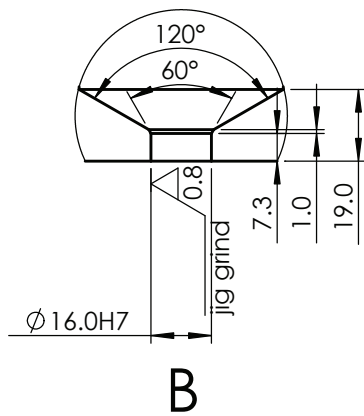
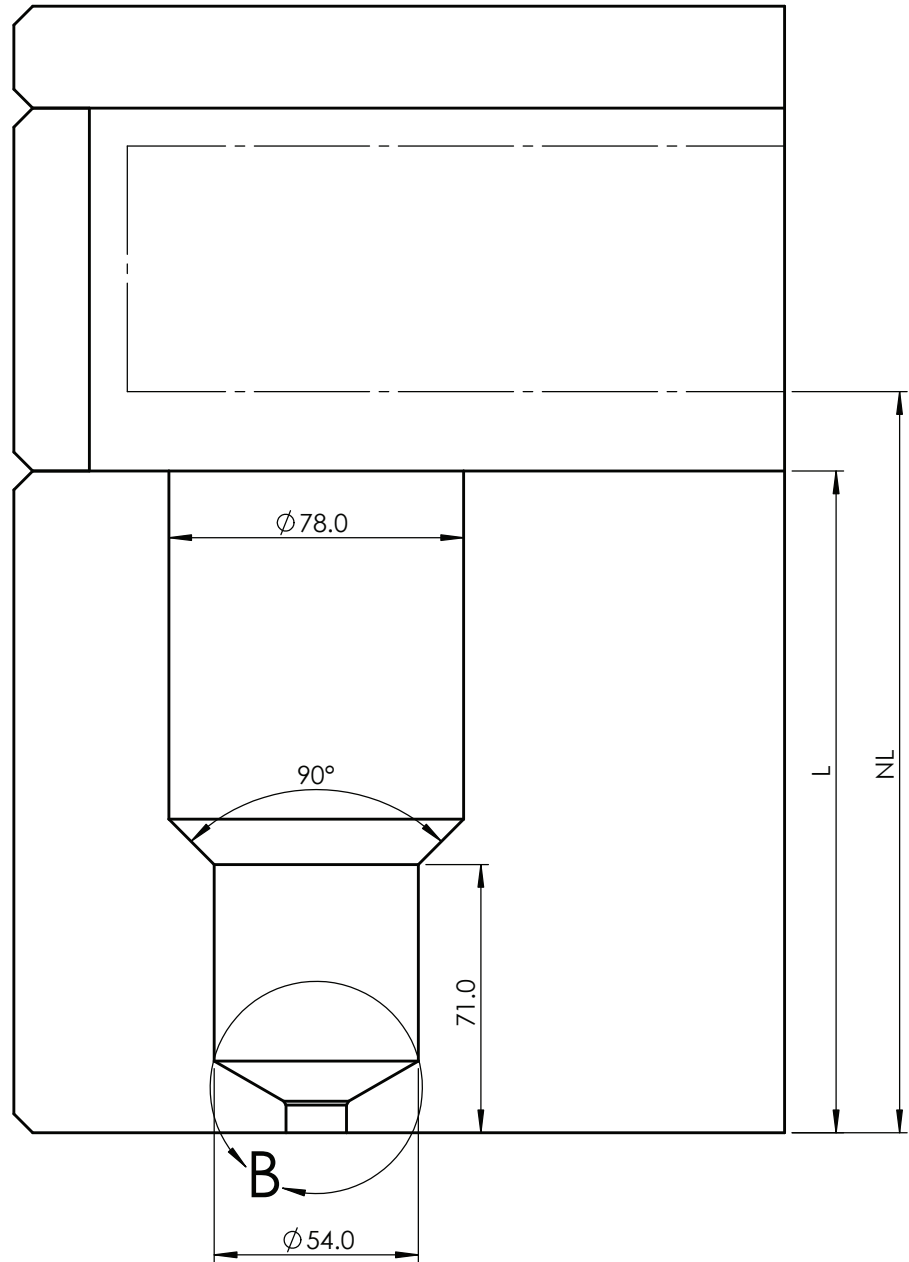






Gate Size
1.5
2.5
3.5

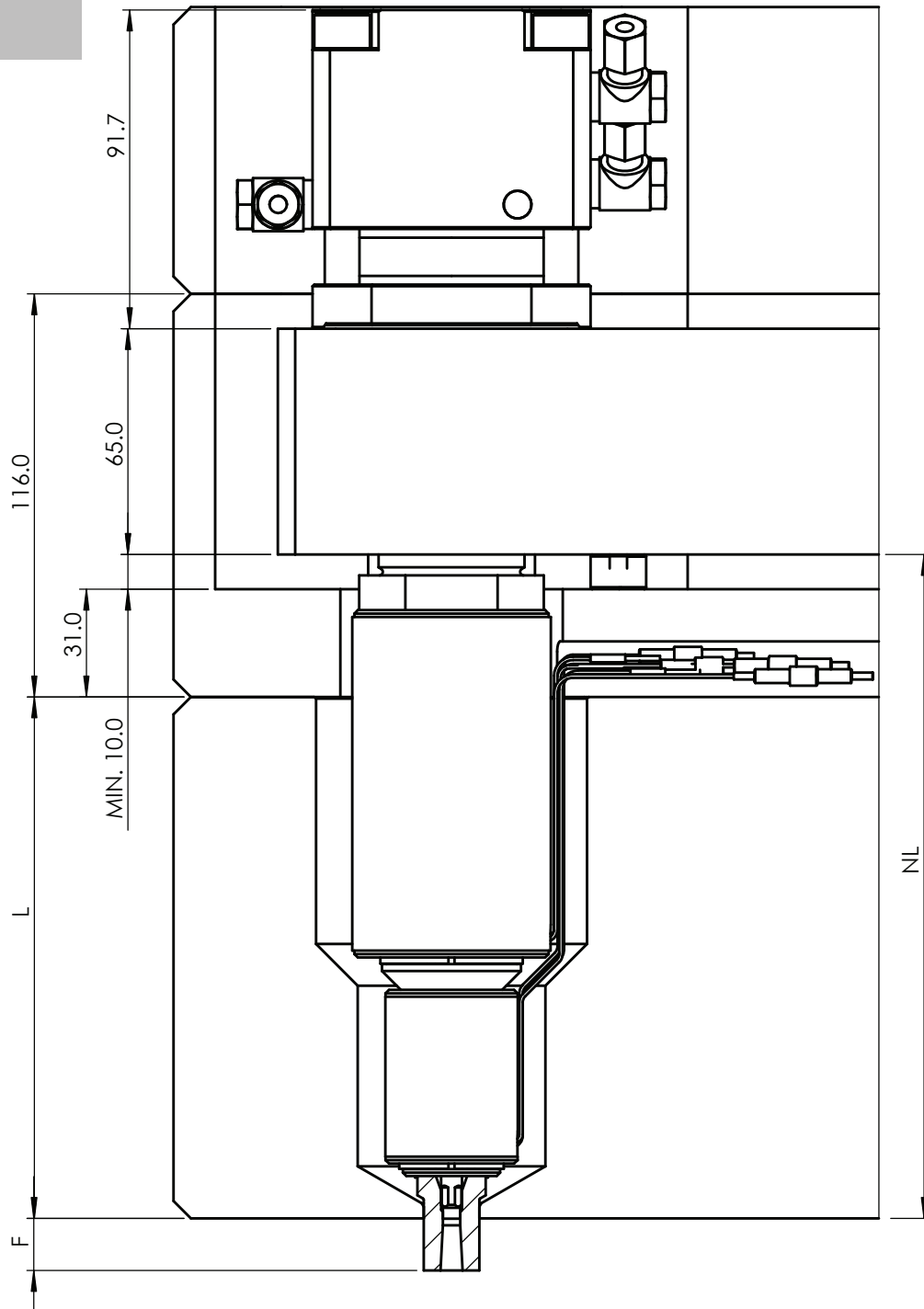




N20N12T---V24--



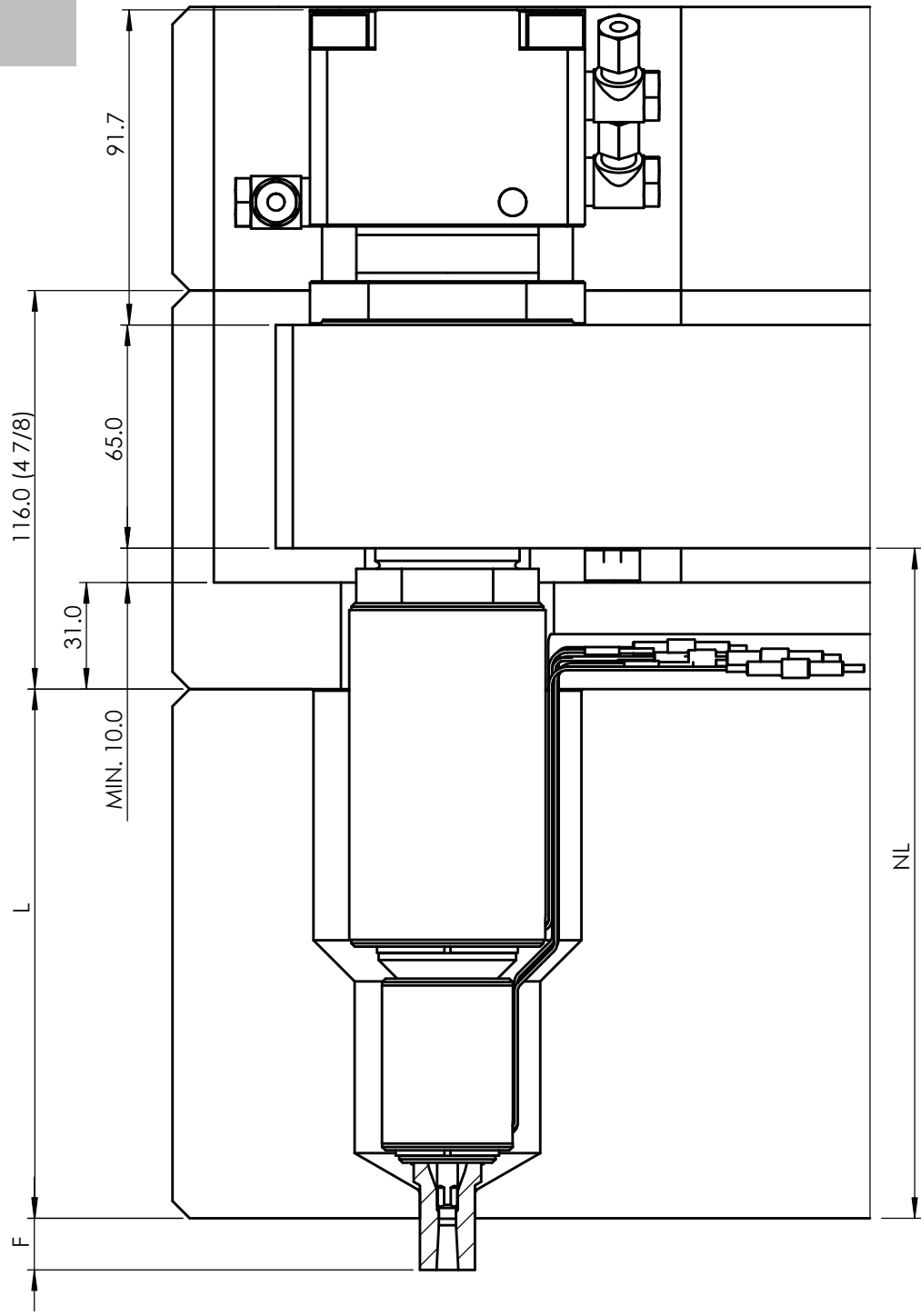
Gate Size
3.0
4.0
5.0

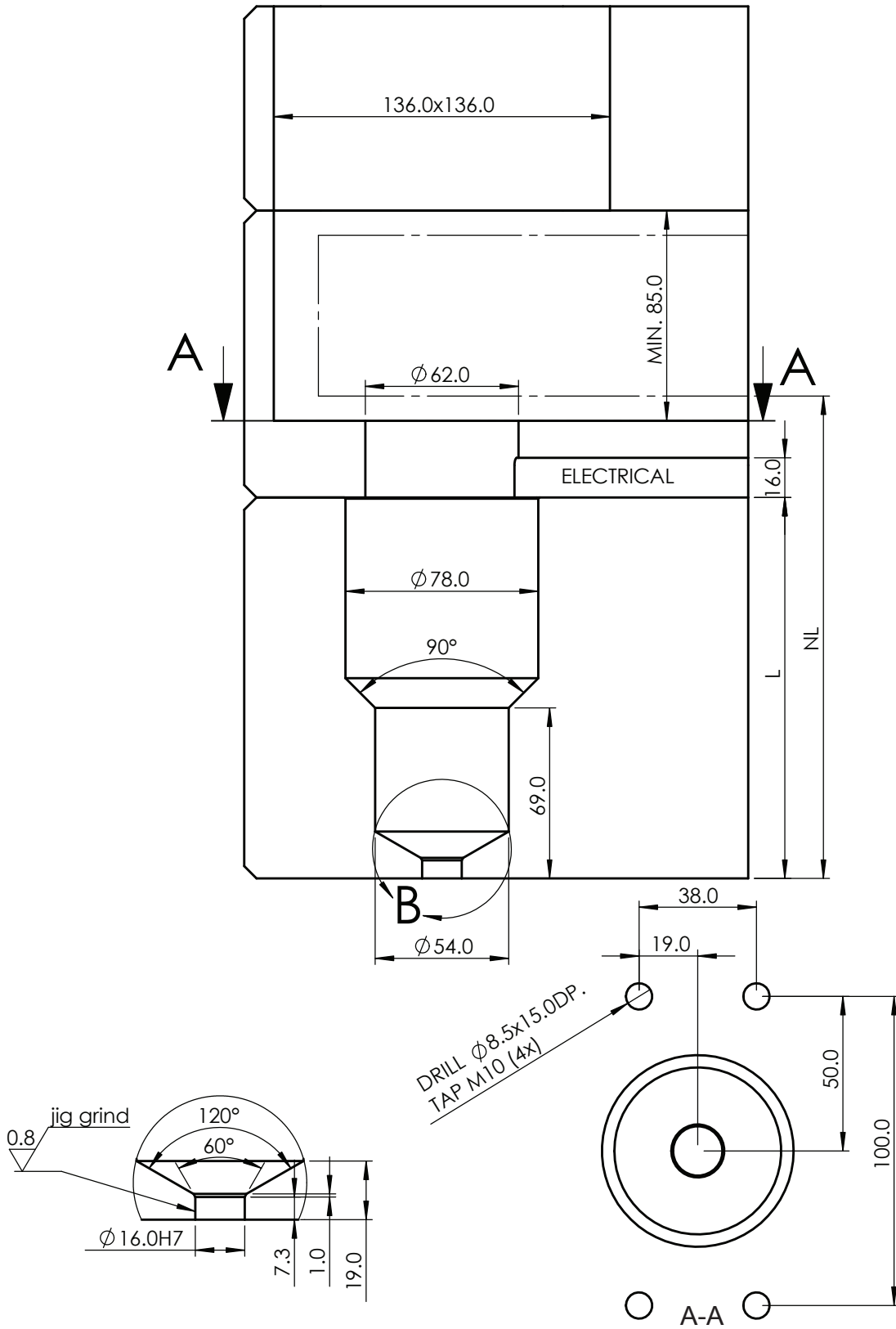


N20N12T---V28--



Gate Size
3.0
4.0
5.0

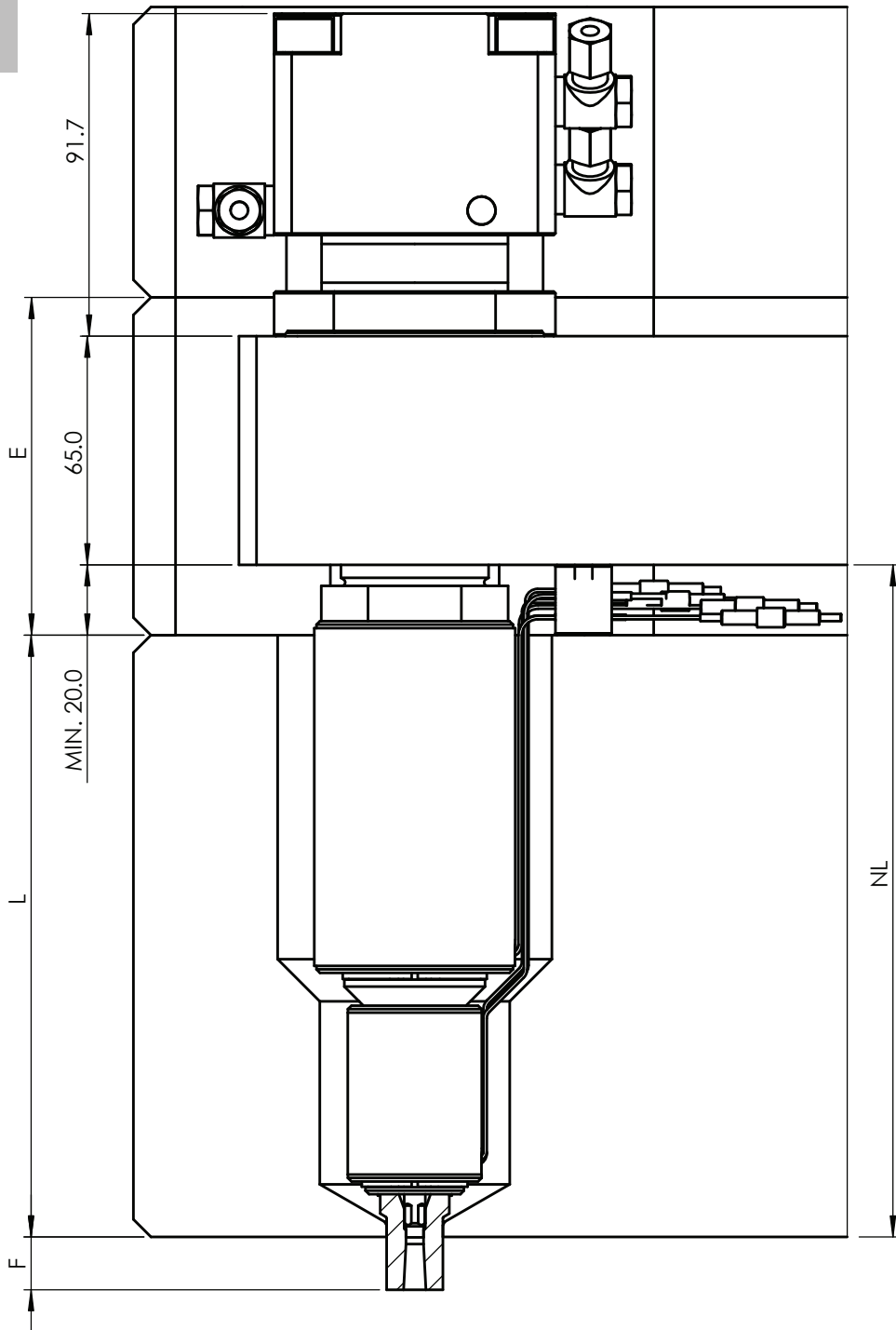


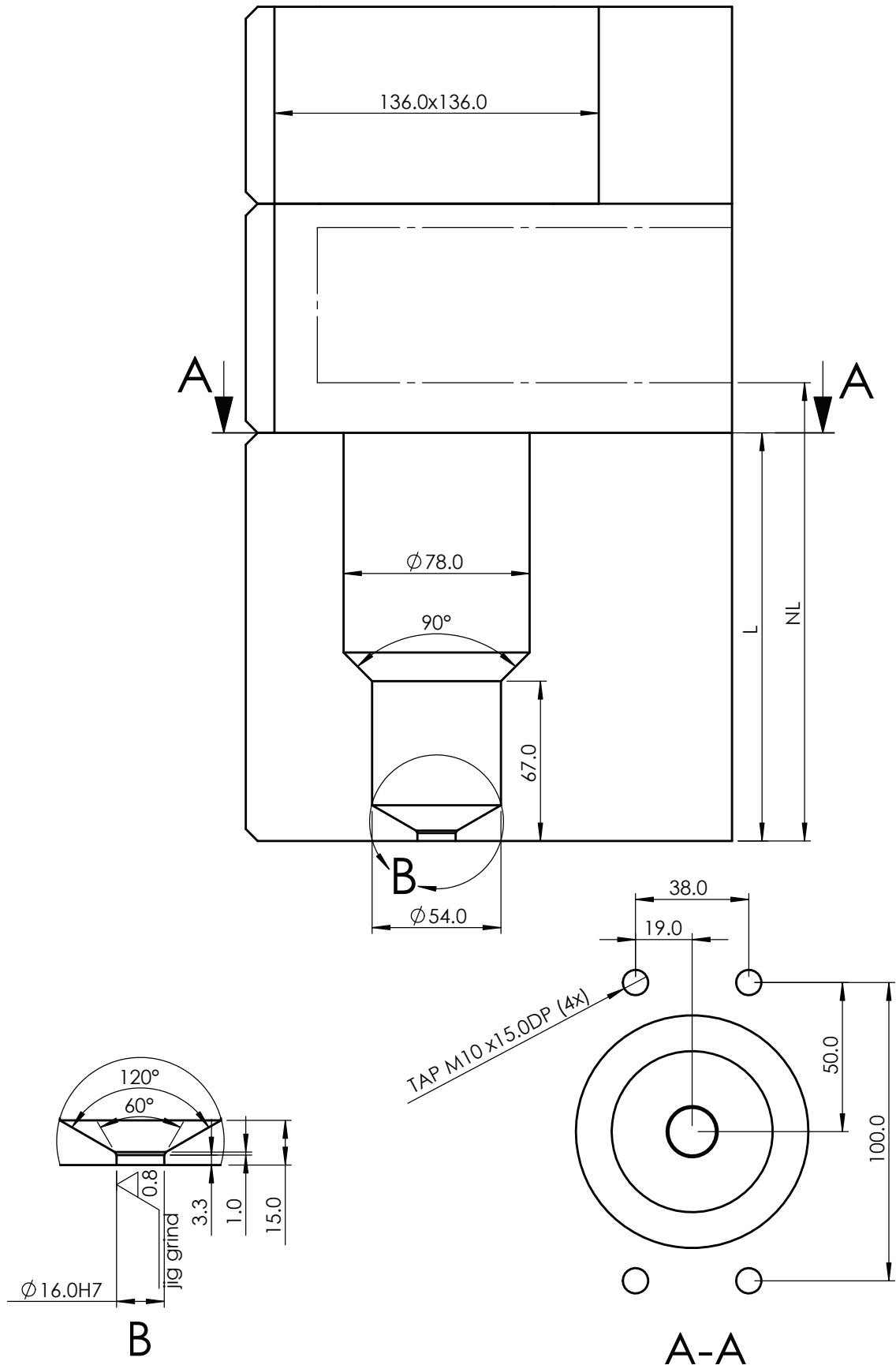


N20N12T---V24--



Gate Size
3.0
4.0
5.0

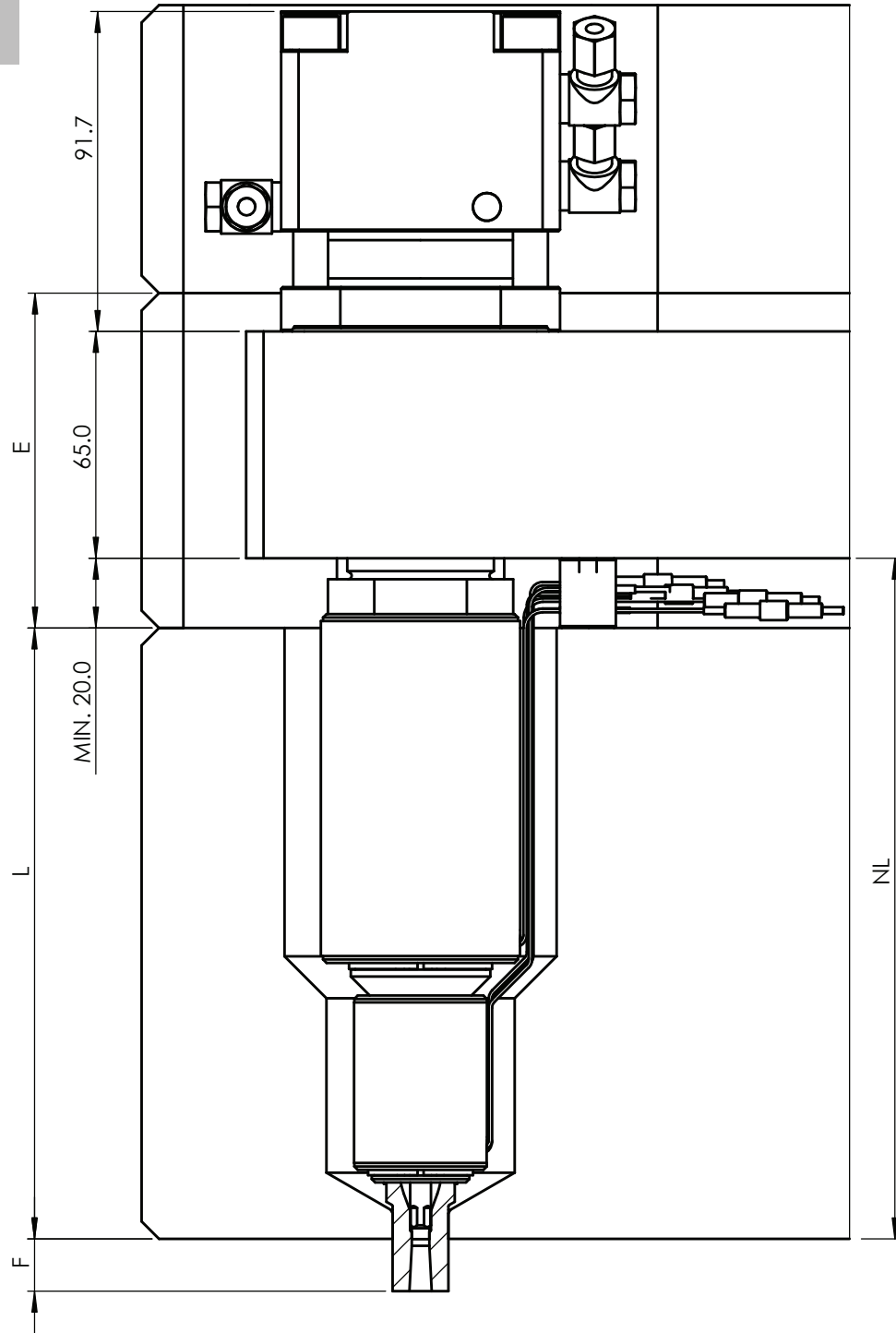


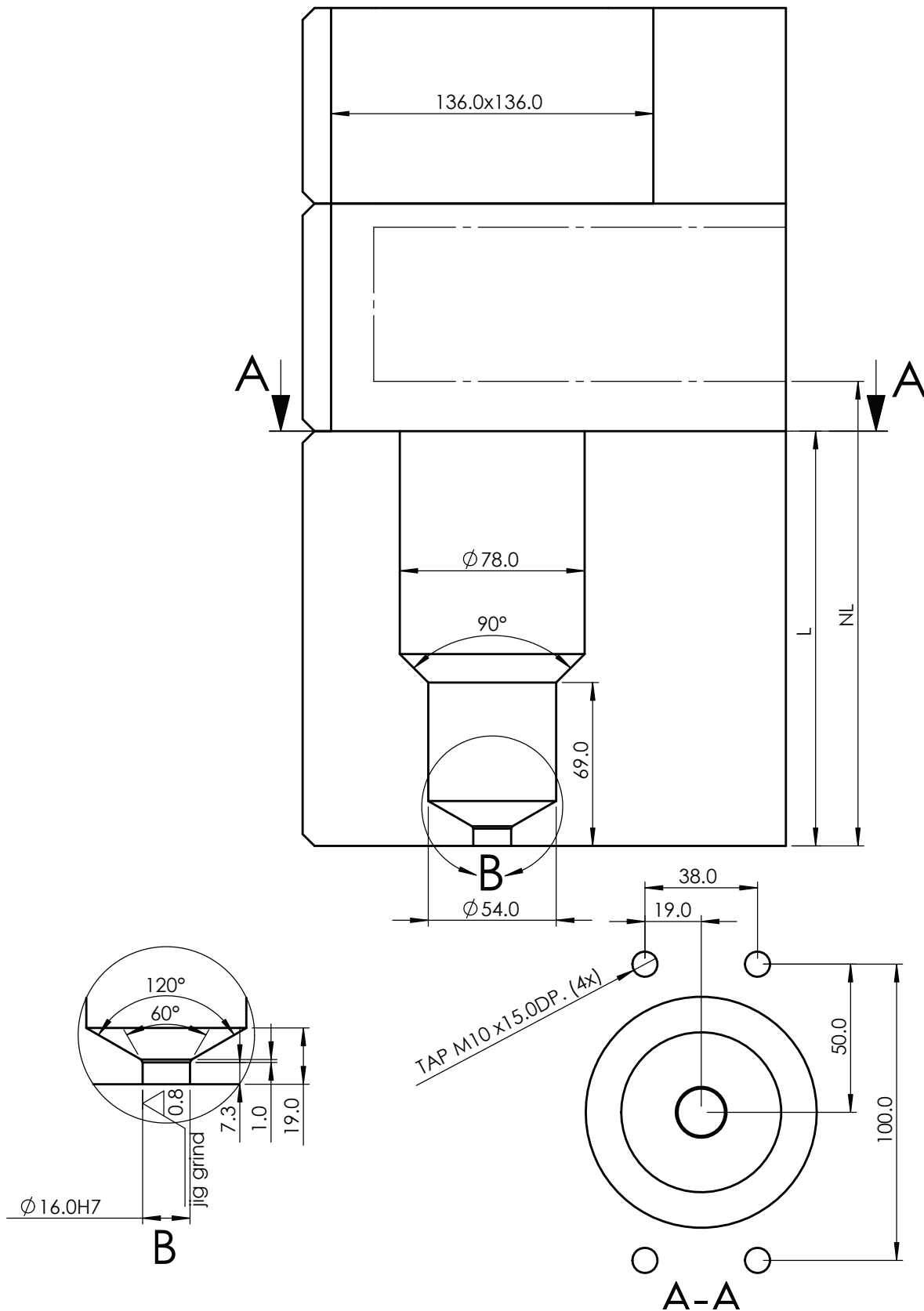


N20N12T---V28--



Gate Size
3.0
4.0
5.0







* -DIMENSIONS SPECIFIED BY CUSTOMER

